

# Product Specifications

## 50ESN28FD3

The NeoTek™ fastening system is the next generation of smart tool solutions. The lightweight, ergonomic design along with fully programmable features such as the high-output LED light rings, audible alerts, and handle vibration all create a better user experience that leads to decreased operator fatigue and increased productivity.

### FEATURES

- 1 million cycles maintenance-free\*
- Repeatability & accuracy with 2.0 Cm/Cmk at +/- 7%
- 21% lighter (tool/cable system) than existing tool family
- Digital communication for reliable performance
- Internal temperature monitoring
- Configurable LED light rings
- Data logging with on-board tool memory
- Preventive maintenance alerts

### SPECIFICATIONS

#### TORQUE RANGE (Nm)

Min / Max: 5.6 / 28

#### TORQUE RANGE (ft-lb)

Min / Max: 4.1 / 20.6

#### SPEED

r/min: 2,125

#### WEIGHT & DIMENSIONS

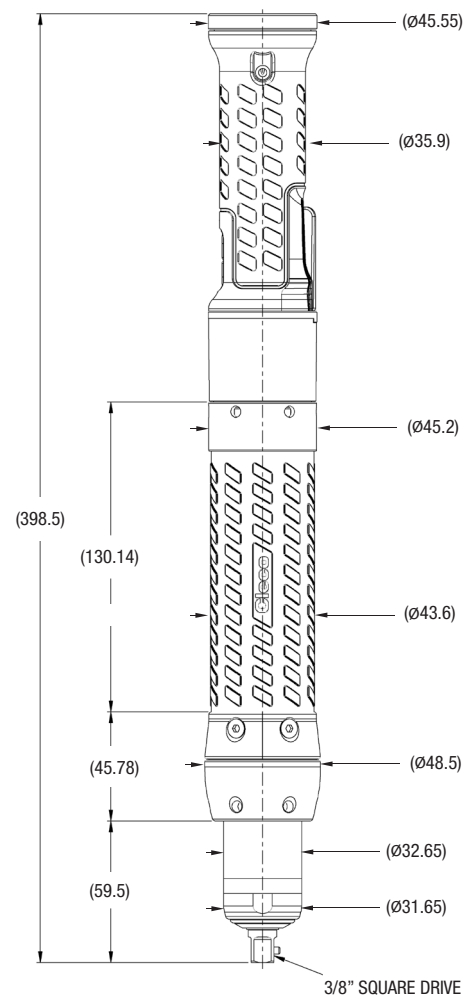
Weight 1.35 kg / 2.98 lb  
 Length 399 mm / 15.70 in  
 Side to Center 16.3 mm / 0.64 in  
 Output Drive 3/8" Sq. Drive

Country of Origin: Assembled in USA



**INLINE CORDED NUTRUNNER**  
 5.6 - 28 Nm (4.1 – 20.6 ft-lbs)

**INLINE - 50 SERIES**



\*based on recommended tool model torque range and clockwise rotation