

Product Specifications

30EPN19FB3

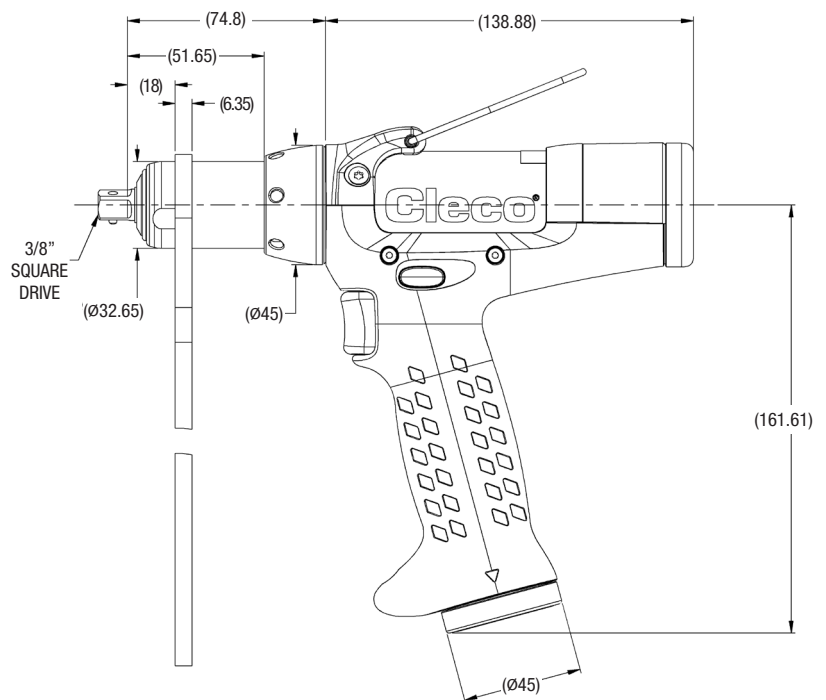
PISTOL CORDED NUTRUNNER
3.9 - 19 Nm (2.8 – 14.0 ft-lbs)

PISTOL - 30 SERIES

The NeoTek™ fastening system is the next generation of smart tool solutions. The lightweight, ergonomic design along with fully programmable features such as the high-output LED light rings, audible alerts, and handle vibration all create a better user experience that leads to decreased operator fatigue and increased productivity.

FEATURES

- 1 million cycles maintenance-free*
- Repeatability & accuracy with 2.0 Cm/Cmk at +/- 7%
- 21% lighter (tool/cable system) than existing tool family
- Digital communication for reliable performance
- Internal temperature monitoring
- Configurable LED light rings
- Data logging with on-board tool memory
- Preventive maintenance alerts



SPECIFICATIONS

TORQUE RANGE (Nm)

Min / Max: 3.9 / 19

TORQUE RANGE (ft-lb)

Min / Max: 2.8 / 14.0

SPEED

r/min: 1,000

WEIGHT & DIMENSIONS

Weight 1.00 kg / 2.20 lb

Length 214 mm / 8.42 in

Side to Center 16.3 mm / 0.64 in

Output Drive 3/8" Sq. Drive

Country of Origin: Assembled in USA

