

Product Specifications

30EPN26FC3

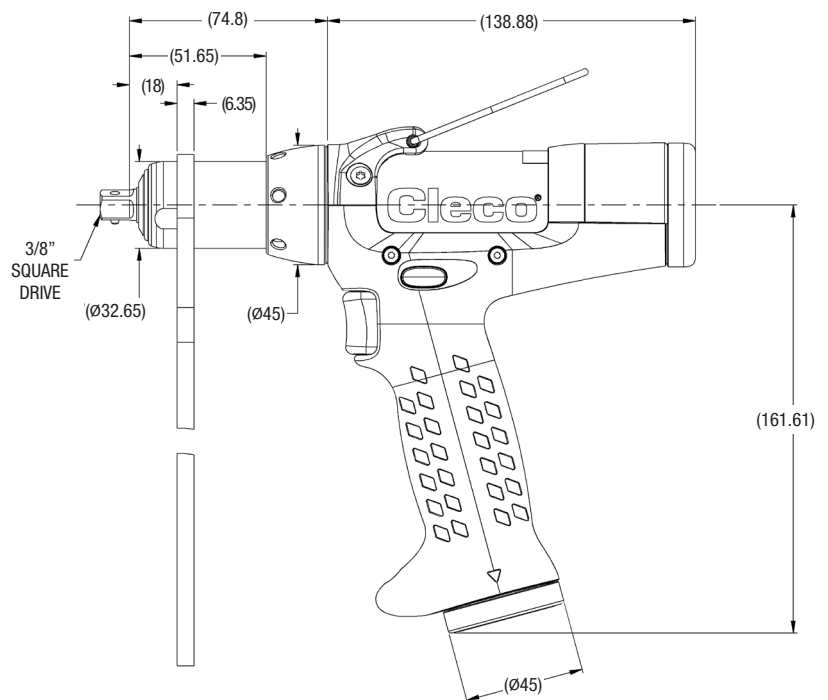
PISTOL CORDED NUTRUNNER
5.1 - 26 Nm (3.7 – 19.1 ft-lbs)

PISTOL - 30 SERIES

The NeoTek™ fastening system is the next generation of smart tool solutions. The lightweight, ergonomic design along with fully programmable features such as the high-output LED light rings, audible alerts, and handle vibration all create a better user experience that leads to decreased operator fatigue and increased productivity.

FEATURES

- 1 million cycles maintenance-free*
- Repeatability & accuracy with 2.0 Cm/Cmk at +/- 7%
- 21% lighter (tool/cable system) than existing tool family
- Digital communication for reliable performance
- Internal temperature monitoring
- Configurable LED light rings
- Data logging with on-board tool memory
- Preventive maintenance alerts



SPECIFICATIONS

TORQUE RANGE (Nm)

Min / Max: 5.1 / 26

TORQUE RANGE (ft-lb)

Min / Max: 3.7 / 19.1

SPEED

r/min: 750

WEIGHT & DIMENSIONS

Weight 1.00 kg / 2.20 lb
Length 214 mm / 8.42 in
Side to Center 16.3 mm / 0.64 in
Output Drive 3/8" Sq. Drive

Country of Origin: Assembled in USA

