

Product Specifications

30EPN05BD2

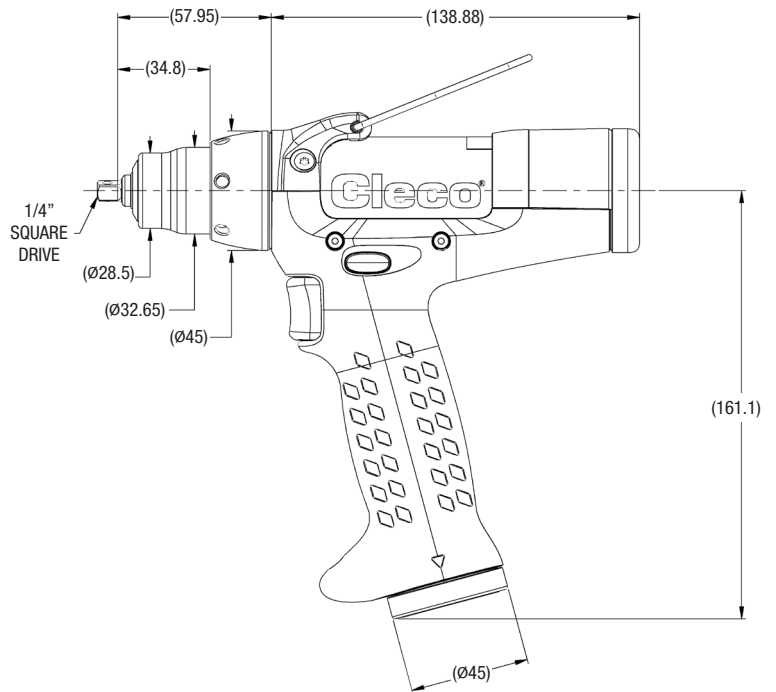
PISTOL CORDED NUTRUNNER
0.9 - 4.7 Nm (0.6 – 3.4 ft-lbs)

PISTOL - 30 SERIES

The NeoTek™ fastening system is the next generation of smart tool solutions. The lightweight, ergonomic design along with fully programmable features such as the high-output LED light rings, audible alerts, and handle vibration all create a better user experience that leads to decreased operator fatigue and increased productivity.

FEATURES

- 1 million cycles maintenance-free*
- Repeatability & accuracy with 2.0 Cm/Cmk at +/- 7%
- 21% lighter (tool/cable system) than existing tool family
- Digital communication for reliable performance
- Internal temperature monitoring
- Configurable LED light rings
- Data logging with on-board tool memory
- Preventive maintenance alerts



SPECIFICATIONS

TORQUE RANGE (Nm)

Min / Max: 0.9 / 4.7

TORQUE RANGE (ft-lb)

Min / Max: 0.6 / 3.4

SPEED

r/min: 4,275

WEIGHT & DIMENSIONS

Weight 0.96 kg / 2.00 lb

Length 197 mm / 7.75 in

Side to Center 16.3 mm / 0.64 in

Output Drive 1/4" Sq. Drive

Country of Origin: Assembled in USA

