

# Product Specifications

## 50EPN43GD3

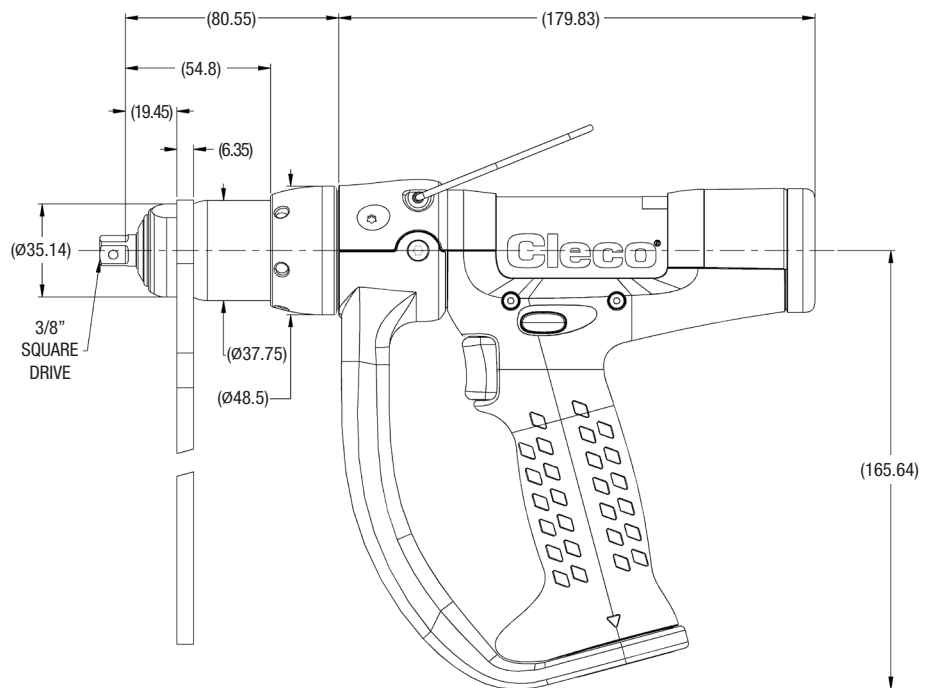
PISTOL CORDED NUTRUNNER  
9 - 43 Nm (6.6 – 31.7 ft-lbs)

PISTOL - 50 SERIES

The NeoTek™ fastening system is the next generation of smart tool solutions. The lightweight, ergonomic design along with fully programmable features such as the high-output LED light rings, audible alerts, and handle vibration all create a better user experience that leads to decreased operator fatigue and increased productivity.

## FEATURES

- 1 million cycles maintenance-free\*
- Repeatability & accuracy with 2.0 Cm/Cmk at +/- 7%
- 21% lighter (tool/cable system) than existing tool family
- Digital communication for reliable performance
- Internal temperature monitoring
- Configurable LED light rings
- Data logging with on-board tool memory
- Preventive maintenance alerts



## SPECIFICATIONS

### TORQUE RANGE (Nm)

Min / Max: 9 / 43

### TORQUE RANGE (ft·lb)

Min / Max: 6.6 / 31.7

### SPEED

r/min: 1,375

### WEIGHT & DIMENSIONS

Weight 1.65 kg / 3.64 lb

Length 260 mm / 10.23 in

Side to Center 18.9 mm / 0.74 in

Output Drive 3/8" Sq. Drive

Country of Origin: Assembled in USA

