

# Product Specifications

## 50EAN39GA3

**RIGHT ANGLE CORDED NUTRUNNER**  
8 - 39 Nm (5.9 – 28.7 ft-lbs)

**RIGHT ANGLE - 50 SERIES**

The NeoTek™ fastening system is the next generation of smart tool solutions. The lightweight, ergonomic design along with fully programmable features such as the high-output LED light rings, audible alerts, and handle vibration all create a better user experience that leads to decreased operator fatigue and increased productivity.

## FEATURES

- 1 million cycles maintenance-free\*
- Repeatability & accuracy with 2.0 Cm/Cmk at +/- 7%
- 21% lighter (tool/cable system) than existing tool family
- Digital communication for reliable performance
- Internal temperature monitoring
- Configurable LED light rings
- Data logging with on-board tool memory
- Preventive maintenance alerts
- Compatible with:
  - mPro400GCD-P Controller
  - 961560-xxx Tool Cable
  - 961561-xxx Tool Extension Cable

## SPECIFICATIONS

### TORQUE RANGE (Nm)

Min / Max: 8 / 39

### TORQUE RANGE (ft-lb)

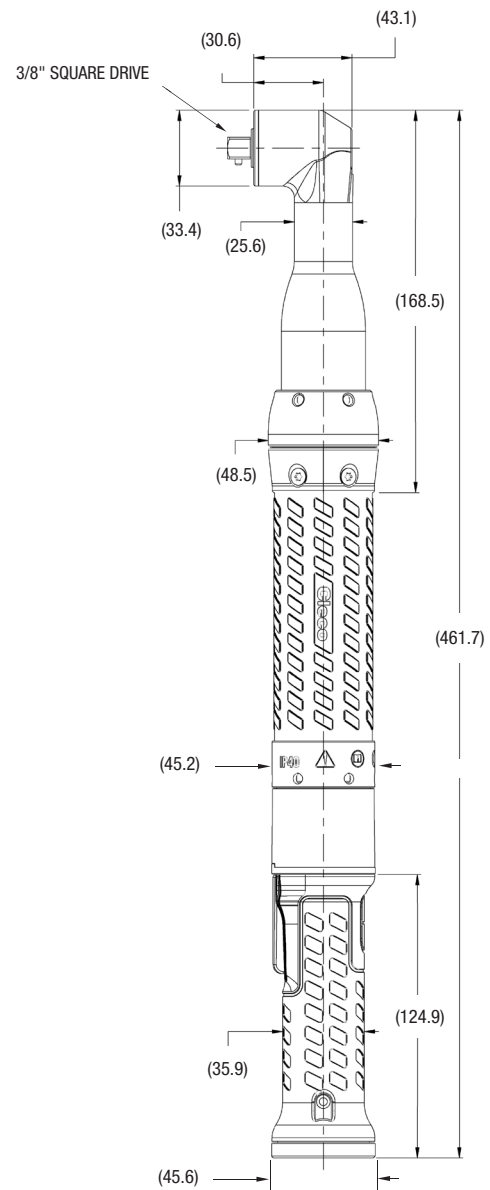
Min / Max: 5.9 / 28.7

### SPEED

r/min: 1,375

### WEIGHT & DIMENSIONS

Weight 1.77 kg / 3.90 lb  
 Length 462 mm / 18.19 in  
 Side to Center 16.7 mm / 0.66 in  
 Height 44.6 mm / 1.76 in  
 Output Drive 3/8" Sq. Drive  
 Country of Origin: Assembled in USA



(Units are in metric)

Apex Tool Group, LLC

Phone: +1 (800) 845-5629

Phone: +1 (919) 387-0099

Phone: +49 (0)7363 81-0

www.ClecoTools.com / www.ClecoTools.de

\*based on recommended tool model torque range and clockwise rotation