

# Product Specifications

## 70EAN205NA6

**RIGHT ANGLE CORDED NUTRUNNER**  
52 - 205 Nm (38.3 – 151.1 ft-lbs)

**RIGHT ANGLE - 70 SERIES**

The NeoTek™ fastening system is the next generation of smart tool solutions. The lightweight, ergonomic design along with fully programmable features such as the high-output LED light rings, audible alerts, and handle vibration all create a better user experience that leads to decreased operator fatigue and increased productivity.

## FEATURES

- 1 million cycles maintenance-free\*
- Repeatability & accuracy with 2.0 Cm/Cmk at +/- 7%
- Over 25% lighter (tool/cable system) than existing tool family
- Digital communication for reliable performance
- Internal temperature monitoring
- Configurable LED light rings
- Data logging with on-board tool memory
- Preventive maintenance alerts
- Compatible with:
  - mPro400GCD-P Controller
  - 961560-xxx Tool Cable
  - 961923-xxx Tool Extension Cable

## SPECIFICATIONS

### TORQUE RANGE (Nm)

Min / Max: 52 / 205

### TORQUE RANGE (ft-lb)

Min / Max: 38.3 / 151.1

### SPEED

r/min: 555

### WEIGHT & DIMENSIONS

Weight 6.50 kg / 14.33 lb

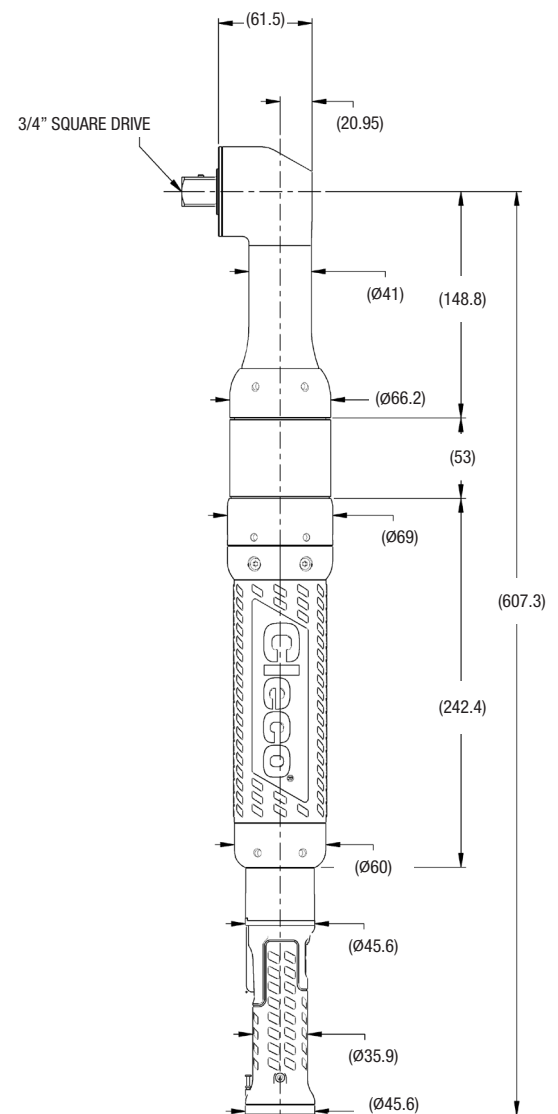
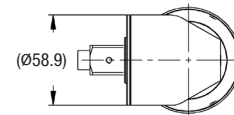
Length 637 mm / 25.07 in

Side to Center 29.5 mm / 1.16 in

Height 62.0 mm / 2.44 in

Output Drive 3/4" Sq. Drive

Country of Origin: Assembled in USA



(Units are in metric)

**Apex Tool Group, LLC**

Phone: +1 (800) 845-5629

Phone: +1 (919) 387-0099

Phone: +49 (0)7363 81-0

www.ClecoTools.com / www.ClecoTools.de

\*based on recommended tool model torque range and clockwise rotation