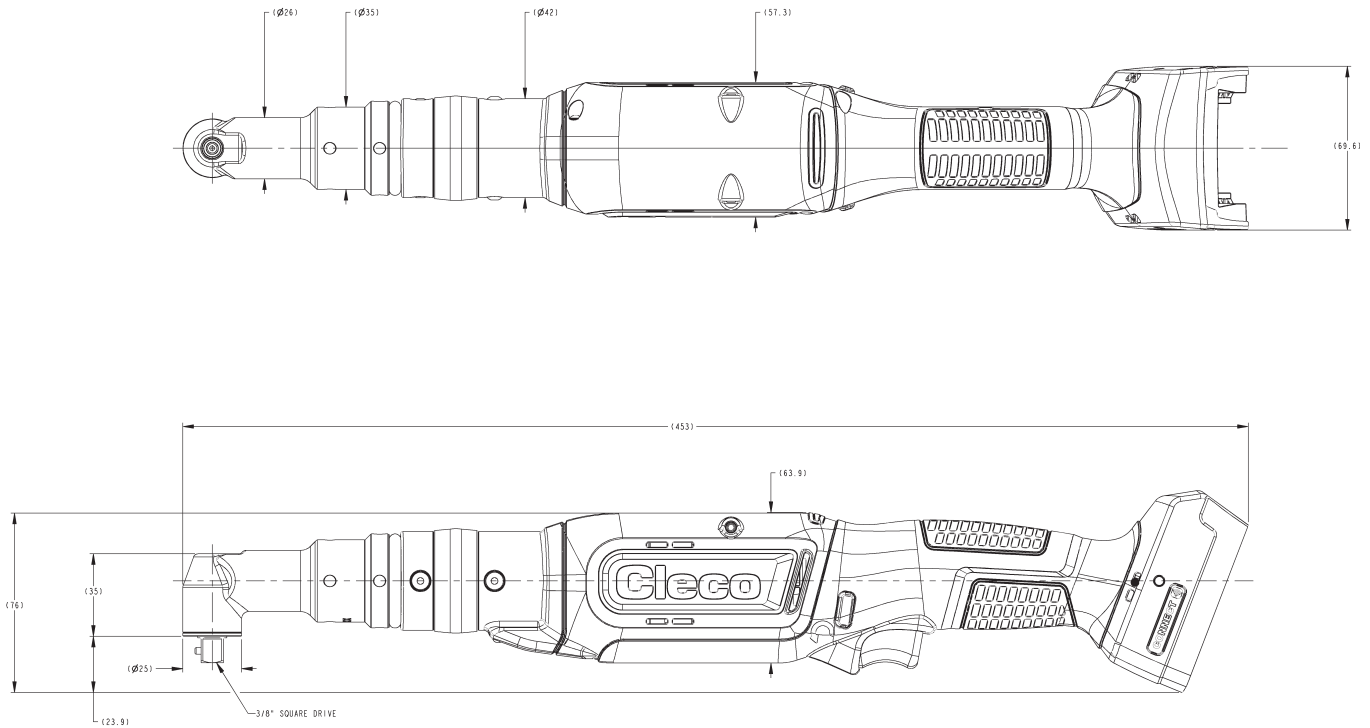


CellClutch Right Angle Series 8 & 12 Nm



Accuracy - Cmk > 1.67 +/- 10%

Connected Advantage

WiFi (2.4 & 5 GHz) and Bluetooth® v4.2 (Low Energy and BR/EDR) wireless communication for easy-to-program setting adjustments, live reporting, traceability, and batch counting through the mPro controller platform.

* Available in Connected version only, mPro Controller sold separately

* Bluetooth is a registered trademark owned by Bluetooth SIG, Inc.

MODEL NUMBER	SPEED		Nm		Ft-lb		WEIGHT* kg (lb)	LENGHT mm (in)	SIDE TO CENTER mm (in)	HEIGHT mm (in)	OUTPUT	WIFI/ BLUETOOTH
	r/min	r/max	Min Torque	Max Torque	Min Torque	Max Torque						
CLBA083	92	915	2.2	8	1.6	5.9	1.46 (3.2)	453 (17.8)	12.5 (0.5)	76 (3.0)	3/8" Square Drive	
CLBAW083**	92	915	2.2	8	1.6	5.9	1.46 (3.2)	453 (17.8)	12.5 (0.5)	76 (3.0)	3/8" Square Drive	•
CLBA123	65	650	3.3	12	2.4	8.8	1.46 (3.2)	453 (17.8)	12.5 (0.5)	76 (3.0)	3/8" Square Drive	
CLBAW123**	65	650	3.3	12	2.4	8.8	1.46 (3.2)	453 (17.8)	12.5 (0.5)	76 (3.0)	3/8" Square Drive	•

*Values do not include battery. 2.0 Ah Battery weighs 0.43 kg. 5.0 Ah Battery weighs 0.72 kg.

**Region Model Numbers: -NA (North America), -EU (EMEA), -CN (China), -00 (Rest of World)



Country of Origin: USA

Cleco | Tame the Line

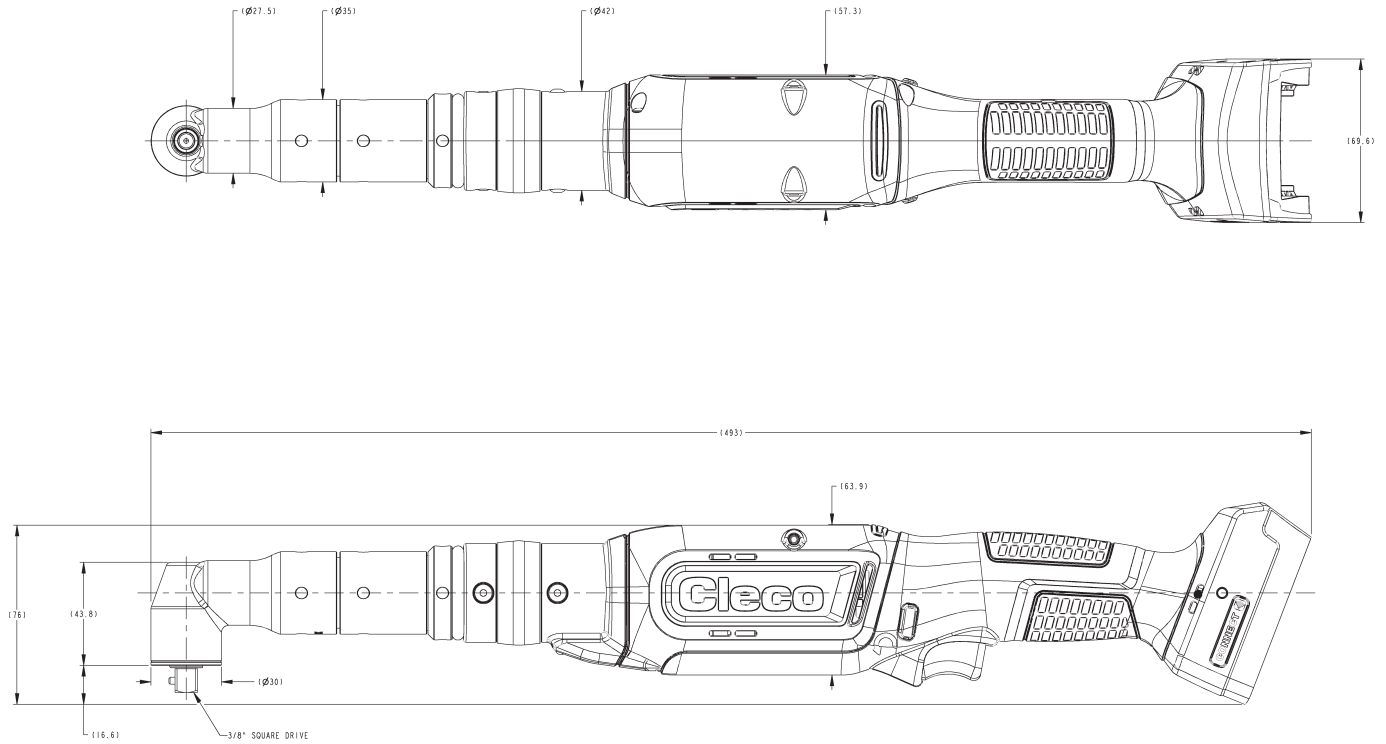
Visit [ClecoTools.com](https://www.ClecoTools.com) to download 3D CAD files

SP-1103-EN | 0324 | Specifications subject to change without notice. | Cleco® is a registered trademark of Apex Brands, Inc. | © 2024

Apex Tool Group, LLC.

www.ClecoTools.com / www.ClecoTools.de

CellClutch Right Angle Series 20 & 30 Nm



Accuracy - Cmk > 1.67 +/- 10%


Connected Advantage

WiFi (2.4 & 5 GHz) and Bluetooth v4.2 (Low Energy and BR/EDR) wireless communication for easy-to-program setting adjustments, live reporting, traceability, and batch counting through the mPro controller platform.

* Available in Connected version only, mPro Controller sold separately
* Bluetooth is a registered trademark owned by Bluetooth SIG, Inc.

MODEL NUMBER	SPEED		Nm		Ft-lb		WEIGHT* kg (lb)	LENGHT mm (in)	SIDE TO CENTER mm (in)	HEIGHT mm (in)	OUTPUT	WIFI/ BLUETOOTH
	r/min	r/max	Min Torque	Max Torque	Min Torque	Max Torque						
CLBA203	36	360	8.3	21	6.1	15.5	1.73 (3.8)	493 (19.4)	15.0 (0.6)	76 (3.0)	3/8" Square Drive	
CLBAW203**	36	360	8.3	21	6.1	15.5	1.73 (3.8)	493 (19.4)	15.0 (0.6)	76 (3.0)	3/8" Square Drive	•
CLBA303	26	255	8.3	30	6.1	22.1	1.73 (3.8)	493 (19.4)	15.0 (0.6)	76 (3.0)	3/8" Square Drive	
CLBAW303**	26	255	8.3	30	6.1	22.1	1.73 (3.8)	493 (19.4)	15.0 (0.6)	76 (3.0)	3/8" Square Drive	•

*Values do not include battery. 2.0 Ah Battery weighs 0.43 kg. 5.0 Ah Battery weighs 0.72 kg.
**Region Model Numbers: -NA (North America), -EU (EMEA), -CN (China), -00 (Rest of World)

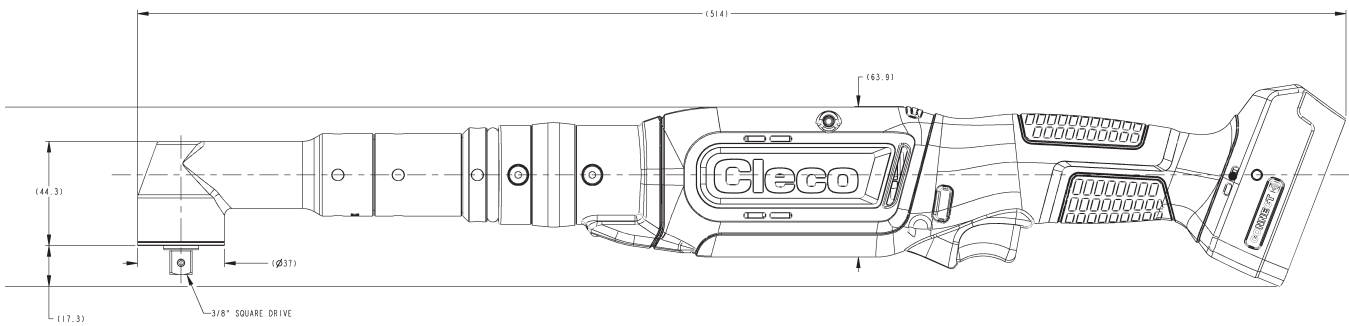
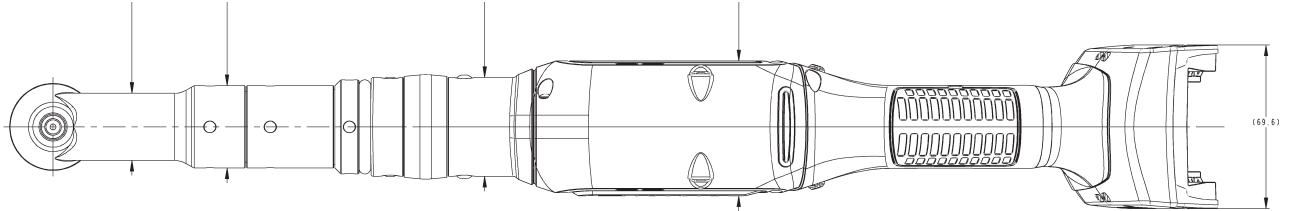
 Country of Origin: USA

Cleco | Tame the Line

Visit ClecoTools.com to download 3D CAD files

Apex Tool Group, LLC.

CellClutch Right Angle Series 40 Nm



Accuracy - Cmk > 1.67 +/- 10%

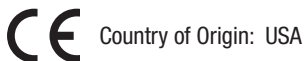
Connected Advantage

WiFi (2.4 & 5 GHz) and Bluetooth v4.2 (Low Energy and BR/EDR) wireless communication for easy-to-program setting adjustments, live reporting, traceability, and batch counting through the mPro controller platform.

* Available in Connected version only, mPro Controller sold separately
* Bluetooth is a registered trademark owned by Bluetooth SIG, Inc.

MODEL NUMBER	SPEED		Nm		Ft-lb		WEIGHT* kg (lb)	LENGHT mm (in)	SIDE TO CENTER mm (in)	HEIGHT mm (in)	OUTPUT	WIFI/ BLUETOOTH
	r/min	r/max	Min Torque	Max Torque	Min Torque	Max Torque						
CLBA403	19	185	15.1	41	11.1	30.2	1.83 (4.0)	514 (20.2)	18.5 (0.7)	76 (3.0)	3/8" Square Drive	
CLBAW403**	19	185	15.1	41	11.1	30.2	1.83 (4.0)	514 (20.2)	18.5 (0.7)	76 (3.0)	3/8" Square Drive	•

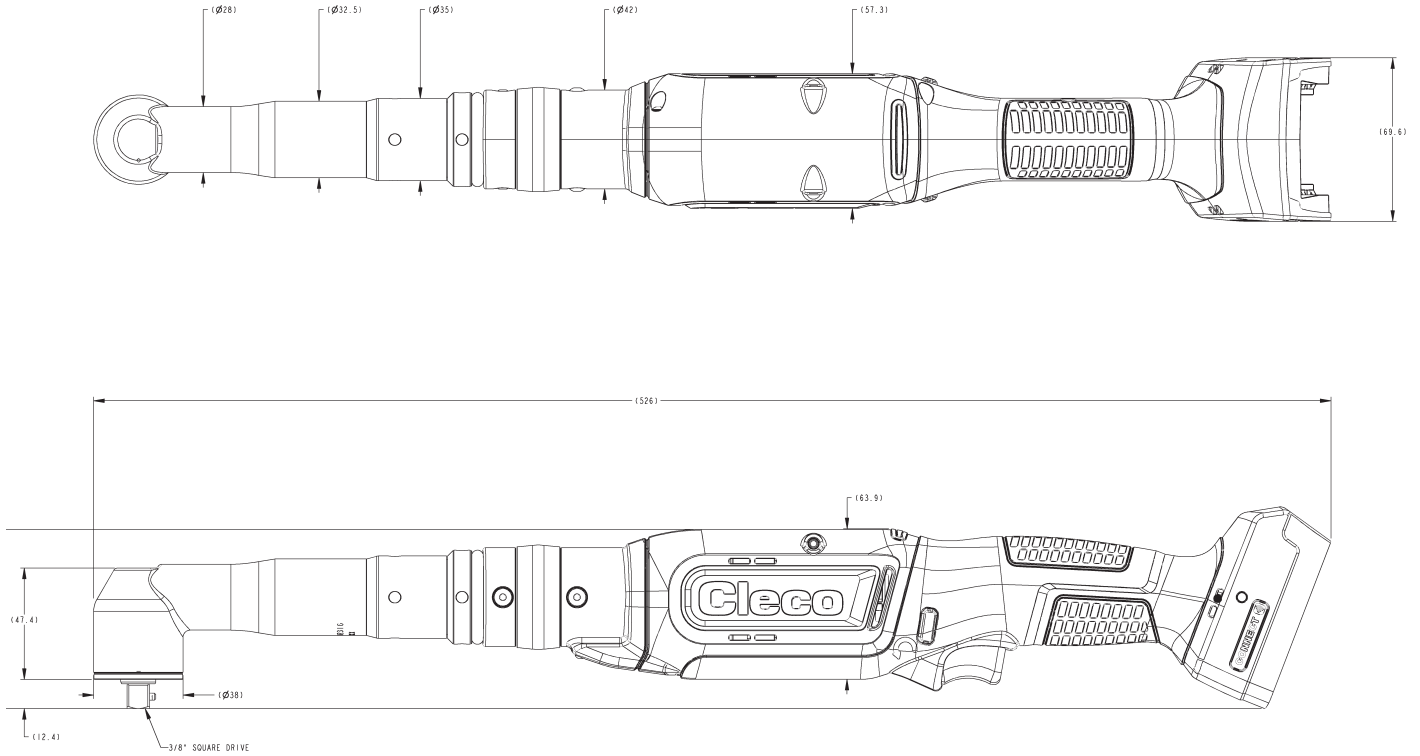
*Values do not include battery. 2.0 Ah Battery weighs 0.43 kg. 5.0 Ah Battery weighs 0.72 kg.
**Region Model Numbers: -NA (North America), -EU (EMEA), -CN (China), -00 (Rest of World)



CellClutch

Right Angle Series

65 Nm



Accuracy - Cmk > 1.67 +/- 10%

Connected Advantage

WiFi (2.4 & 5 GHz) and Bluetooth v4.2 (Low Energy and BR/EDR) wireless communication for easy-to-program setting adjustments, live reporting, traceability, and batch counting through the mPro controller platform.

* Available in Connected version only, mPro Controller sold separately

* Bluetooth is a registered trademark owned by Bluetooth SIG, Inc.

MODEL NUMBER	SPEED		Nm		Ft-lb		WEIGHT* kg (lb)	LENGHT mm (in)	SIDE TO CENTER mm (in)	HEIGHT mm (in)	OUTPUT	WIFI/ BLUETOOTH
	r/min	r/max	Min Torque	Max Torque	Min Torque	Max Torque						
CLBA653	12	115	16	65	11.8	47.9	1.93 (4.3)	526 (20.7)	19 (0.75)	76 (3.0)	3/8" Square Drive	
CLBAW653**	12	115	16	65	11.8	47.9	1.93 (4.3)	526 (20.7)	19 (0.75)	76 (3.0)	3/8" Square Drive	•

*Values do not include battery. 2.0 Ah Battery weighs 0.43 kg. 5.0 Ah Battery weighs 0.72 kg.

**Region Model Numbers: -NA (North America), -EU (EMEA), -CN (China), -00 (Rest of World)



Country of Origin: USA

Cleco | Tame the Line

Visit ClecoTools.com to download 3D CAD files

Apex Tool Group, LLC.