

Cleco[®]
Production Tools

Parts Manual

SP12-1110

2020-05

NeoTek[™]

30 EAN Series

Corded Electric Assembly Tool



For additional product information visit our website at <http://www.ClecoTools.com>

Copyright © Apex Tool Group, 2020

No part of this document may be reproduced in any way or in any form, in whole or in part, or in a natural or machine-readable language, or transmitted on electronic, mechanical, optical, or other media, without the express permission of the Apex Tool Group.

Disclaimer

The Apex Tool Group reserves the right to modify, supplement, or improve this document or the product without prior notice.

Trademark

Cleco is a registered trademark of Apex Brands, Inc.

Apex Tool Group

670 Industrial Drive
 Lexington, SC 29072

Manufacturer:

Apex Tool Group, LLC
 670 Industrial Drive
 Lexington, South Carolina 29072, USA

Importers:

Apex Tool Group GmbH
 Industriestraße 1
 73463 Westhausen, Germany

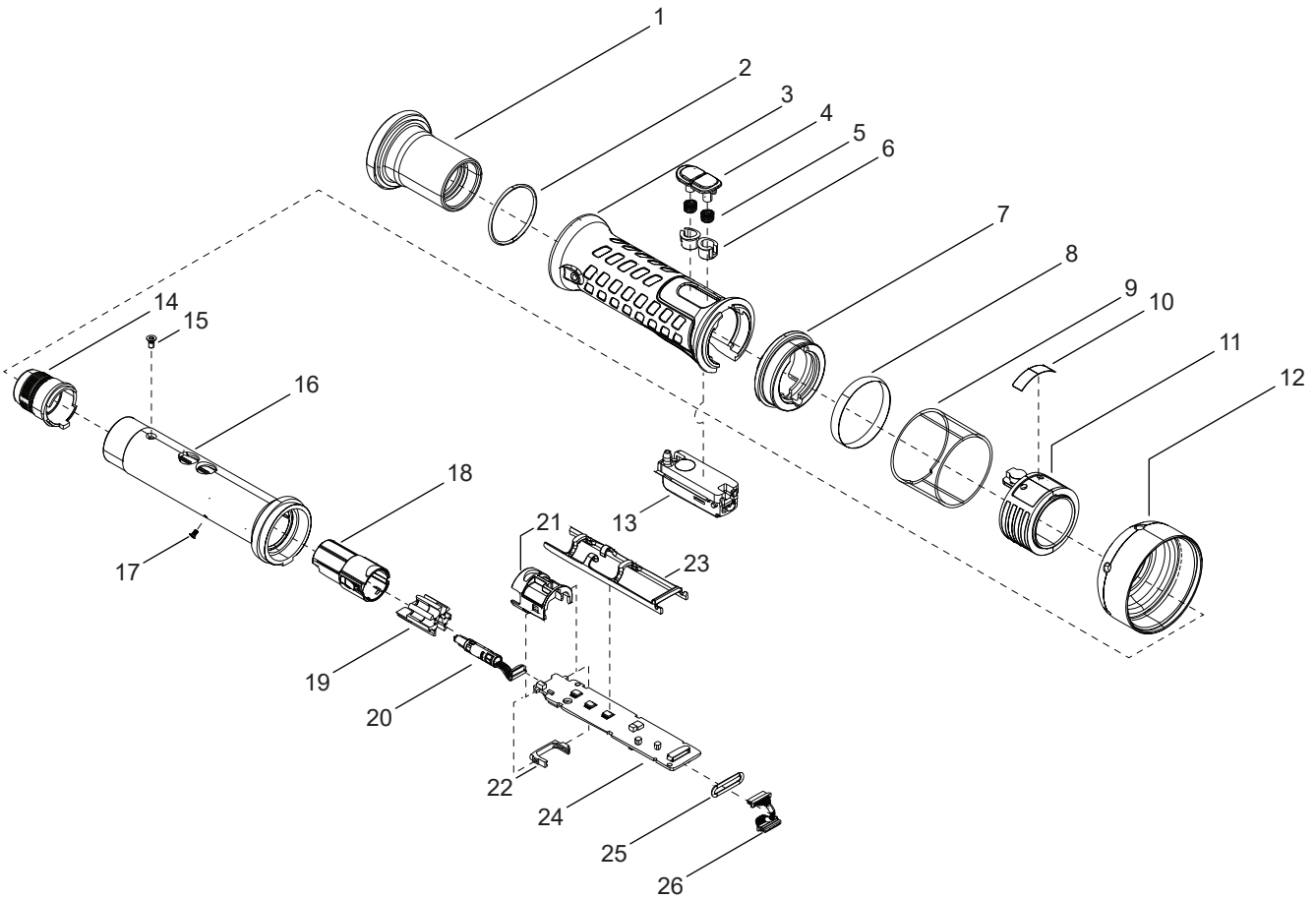
Apex Tool Group SAS
 25 Avenue Maurice Chevalier - ZI
 77330 Ozoir-La-Ferrière
 France





Further Document for Safety Instructions

No.	Document type
TM12-1109	Instruction Manual 30 & 50 & 70 Series NeoTek

01

MODELS
30EAN06EA3
30EAN12EA3
30EAN21FA3
30EAN28FA3



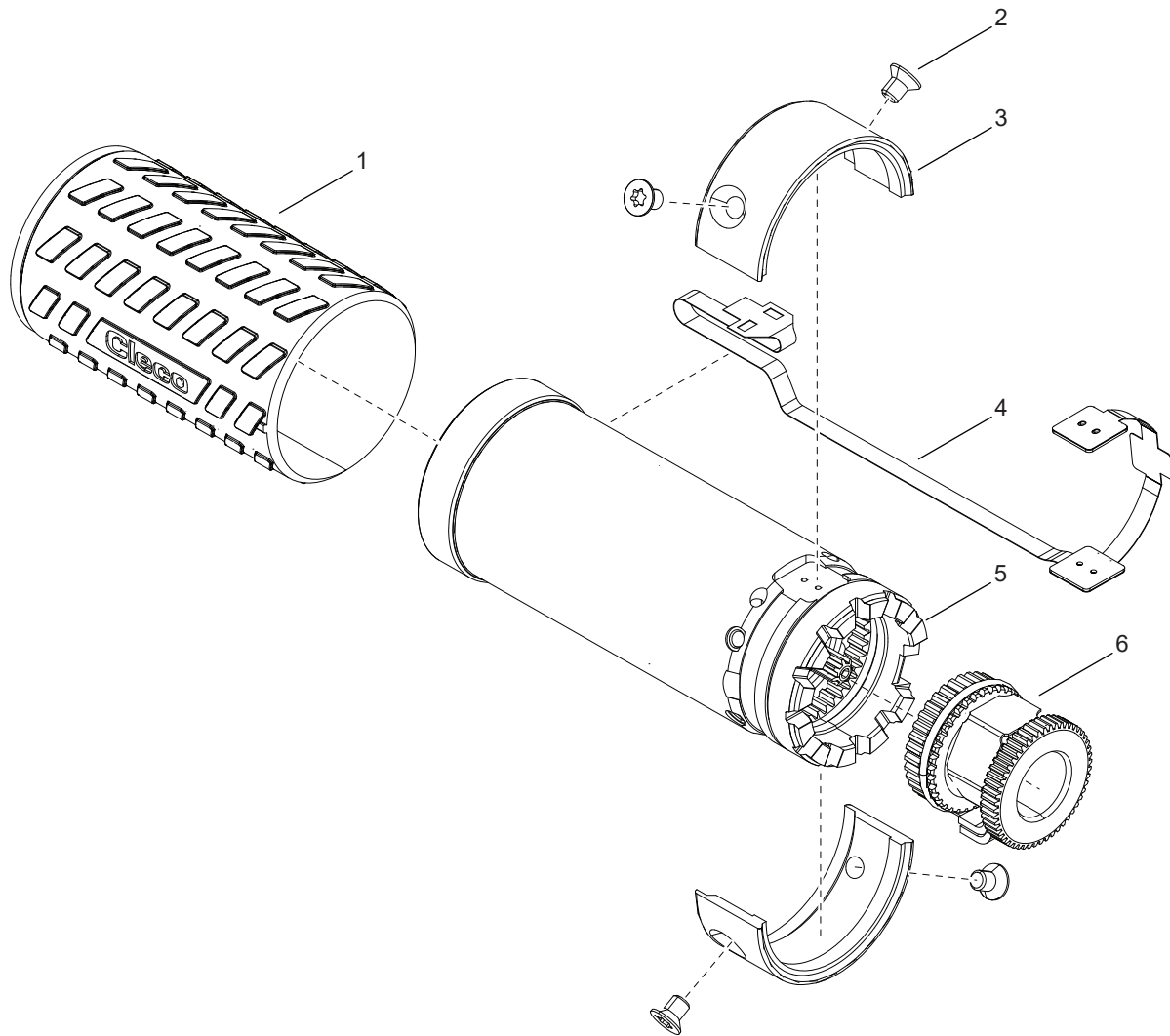
-  # 1 44 Nm
-  # 12 90 Nm
-  # 16 0.9 Nm
-  # 18 0.42 Nm

REF	NUMBER	#	EN
			DESCRIPTION
1	208746PT	1	Handle Nut
2	22598	1	O Ring
3	208532PT	1	Handle Grip
4	207918PT	2	Button
5	208002PT	2	Spring
6	207963PT	2	Button Guide
7	207964PT	1	Label Ring
8	207951PT	1	Label
9	207925PT	1	Protective Ring
10	207967PT	1	Label
11	207905PT	1	Light Ring Assembly
12	207904PT	1	Handle Nut
13	302086PT	1	Start Switch Assembly
14	961559PT	1	Housing Connector
15	207921PT	1	Screw
16	207903PT	1	Inner Handle
17	207949PT	1	Screw
18	961558PT	1	Connector Body
19	961692PT	1	Contact Carrier
20	961557PT	1	TIM Cable
21	961564PT	1	Circuit Board Holder
22	961575PT	1	Rubber Grommet
23	T50-1000391	1	Wire Guide
24	961668PT	1	TIM Board
25	60371	1	O Ring
26	961594PT	1	Encoder Cable

= Quantity

02

MODELS
 30EAN06EA3
 30EAN12EA3
 30EAN21FA3
 30EAN28FA3



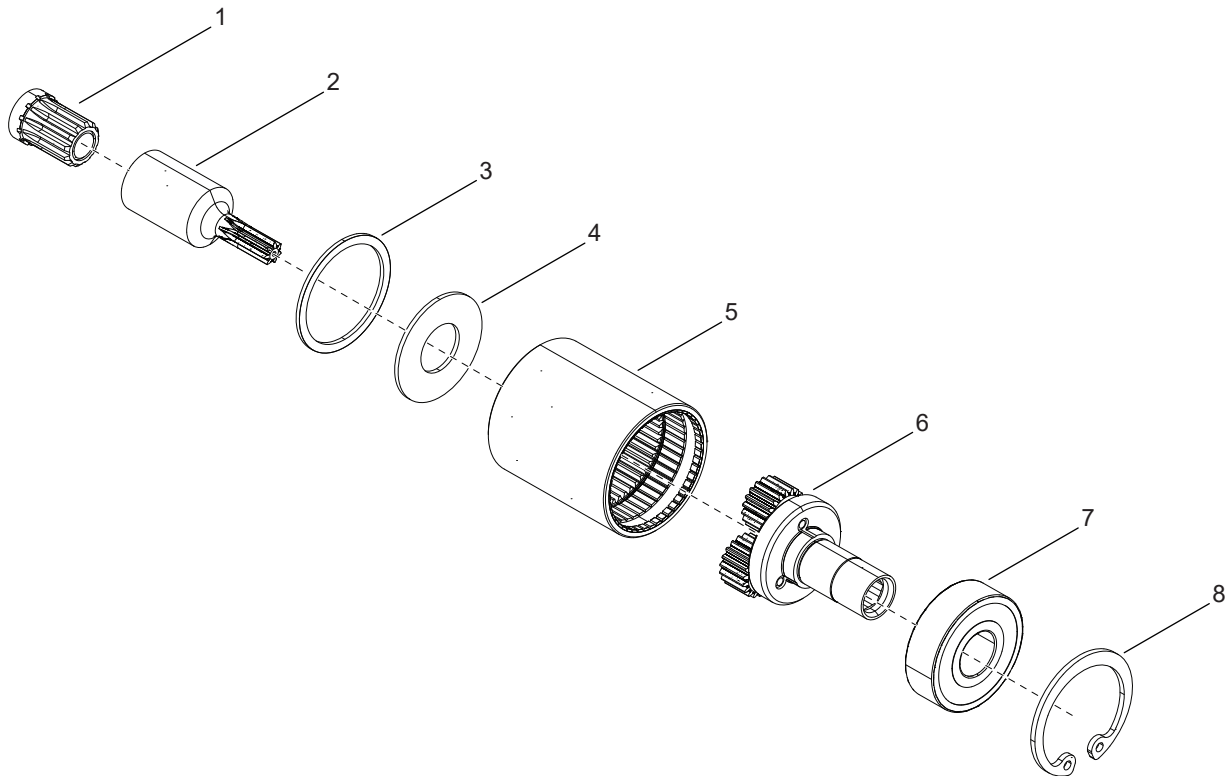
 # 2 12.5 Nm

REF	NUMBER	#	EN
			DESCRIPTION
1	208046PT	1	Motor Cover
2	208871PT	4	Screw
3	208869PT	2	Accessory Cover
4	961556PT	1	Flex Cable
5	T50-3000528	1	Motor Assembly
6	See Table 1	1	Transducer

= Quantity

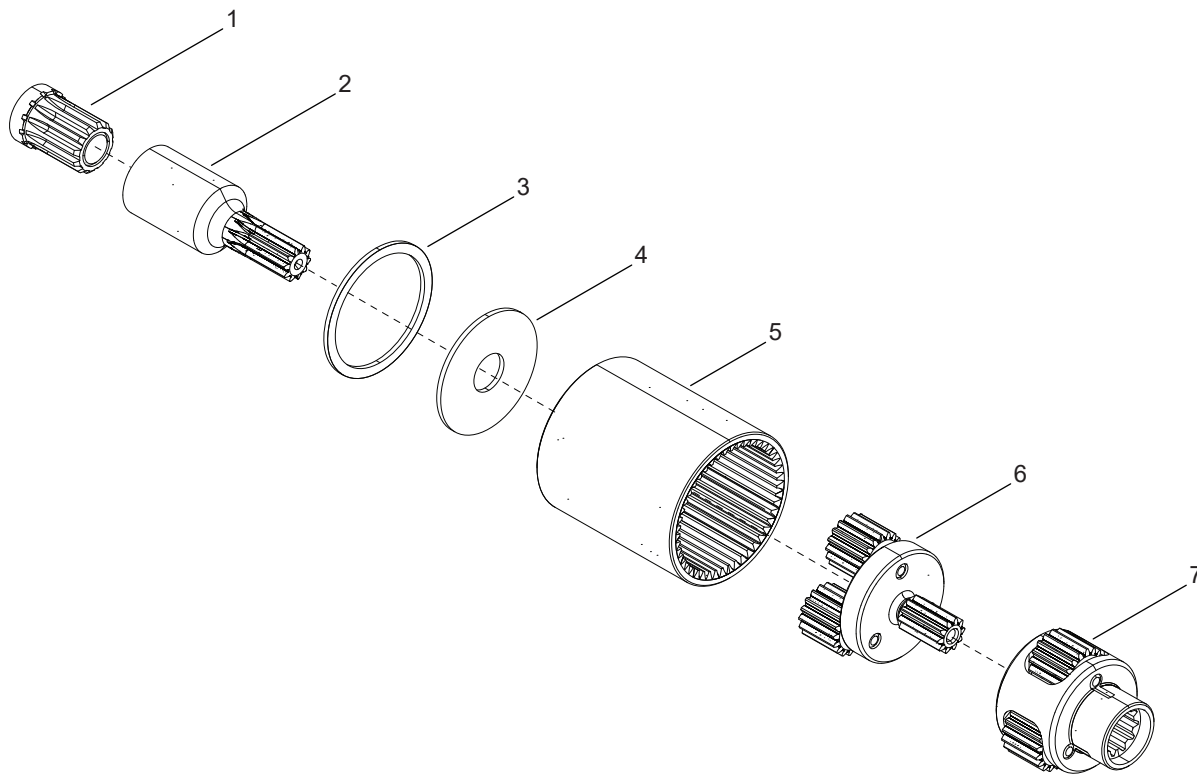
TABLE 1						
REF	DESCRIPTION	#	30EAN06EA3	30EAN12EA3	30EAN21FA3	30EAN27FA3
6	Transducer	1	961602PT-004	961602PT-009	961602PT-019	961602PT-025

= Quantity

03MODELS
30EAN06EA3

REF	NUMBER	#	EN
			DESCRIPTION
1	541044	1	Pinion Adapter
2	208161PT	1	Pinion Extension
3	208185PT	1	Retaining Ring
4	208482PT	1	Washer
5	208660PT	1	Ring Gear
6	T50-3000658	1	Planetary Gear Assembly
7	208679PT	1	Bearing
8	208750PT	1	Retaining Ring

= Quantity

04MODELS
30EAN12EA3
30EAN21FA3
30EAN28FA3

REF	NUMBER	#	EN
			DESCRIPTION
1	541044	1	Pinion Adapter
2	See Table 3	1	Pinion Extension
3	208185PT	1	Retaining Ring
4	See Table 3	1	Washer
5	208159PT	1	Ring Gear
6	See Table 3	1	Planetary Gear Assembly
7	See Table 3	1	Planetary Gear Assembly

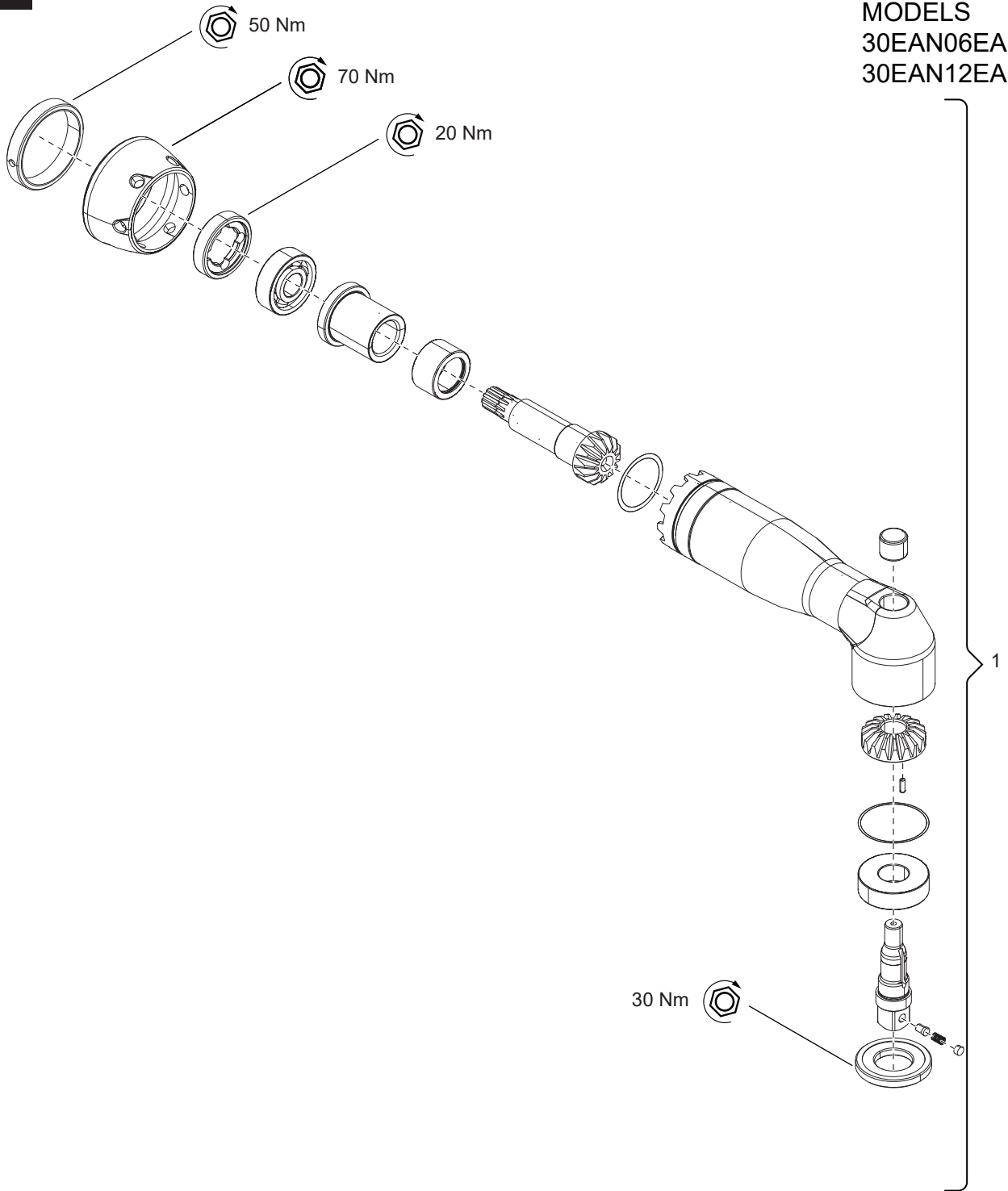
= Quantity

TABLE 3					
REF	DESCRIPTION	#	30EAN12EA3	30EAN21FA3	30EAN27FA3
2	Pinion Extension	1	208479PT	208137PT	208161PT
4	Washer	1	208482PT	208486PT	208486PT
6	Planetary Gear Assembly	1	T50-3000659	T50-3000661	T50-3000663
7	Planetary Gear Assembly	1	T50-3000660	T50-3000662	T50-3000662

= Quantity

05

MODELS
30EAN06EA3
30EAN12EA3

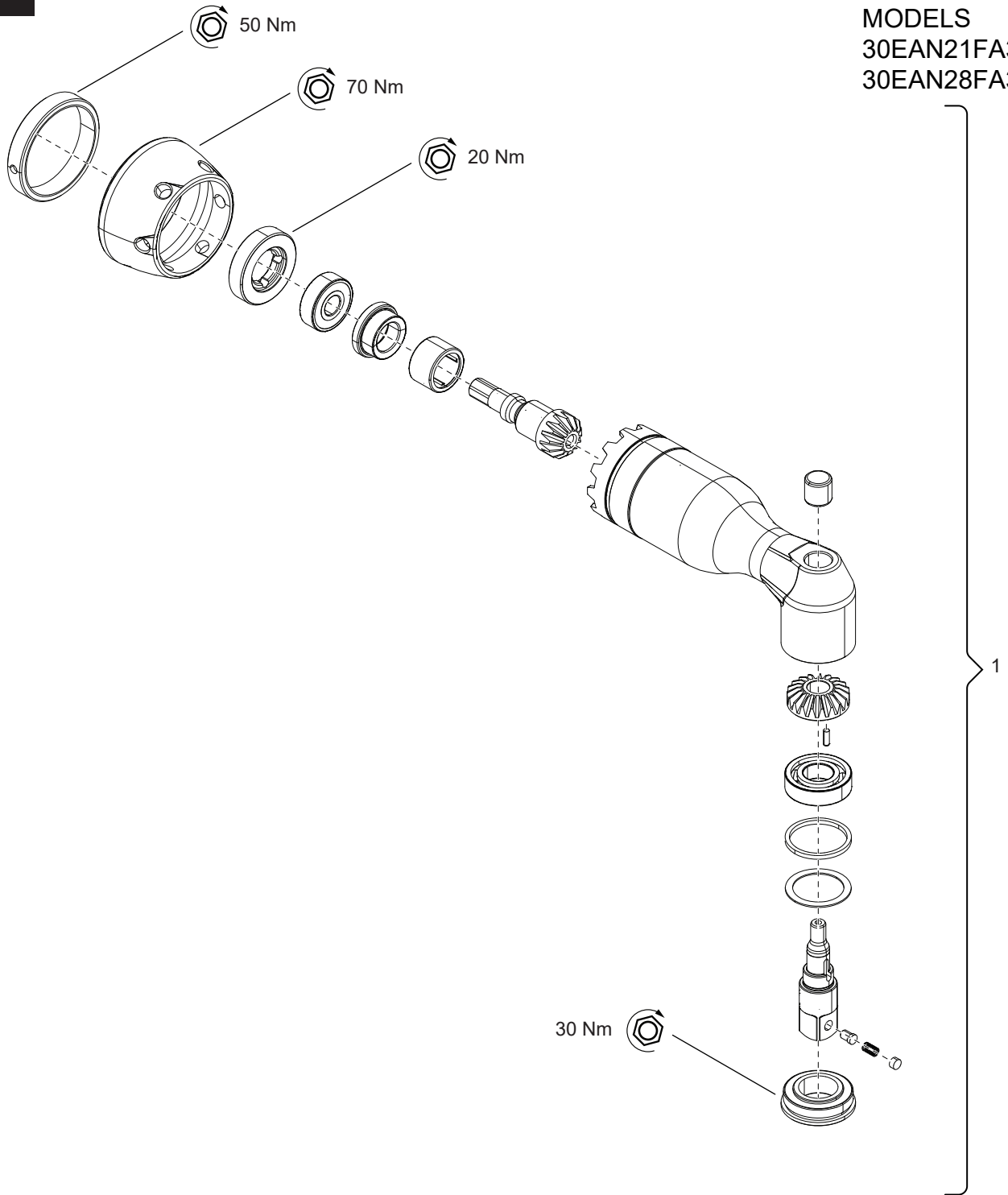


REF	NUMBER	#	EN
			DESCRIPTION
1	302102PT	1	Right Angle Output

= Quantity

06

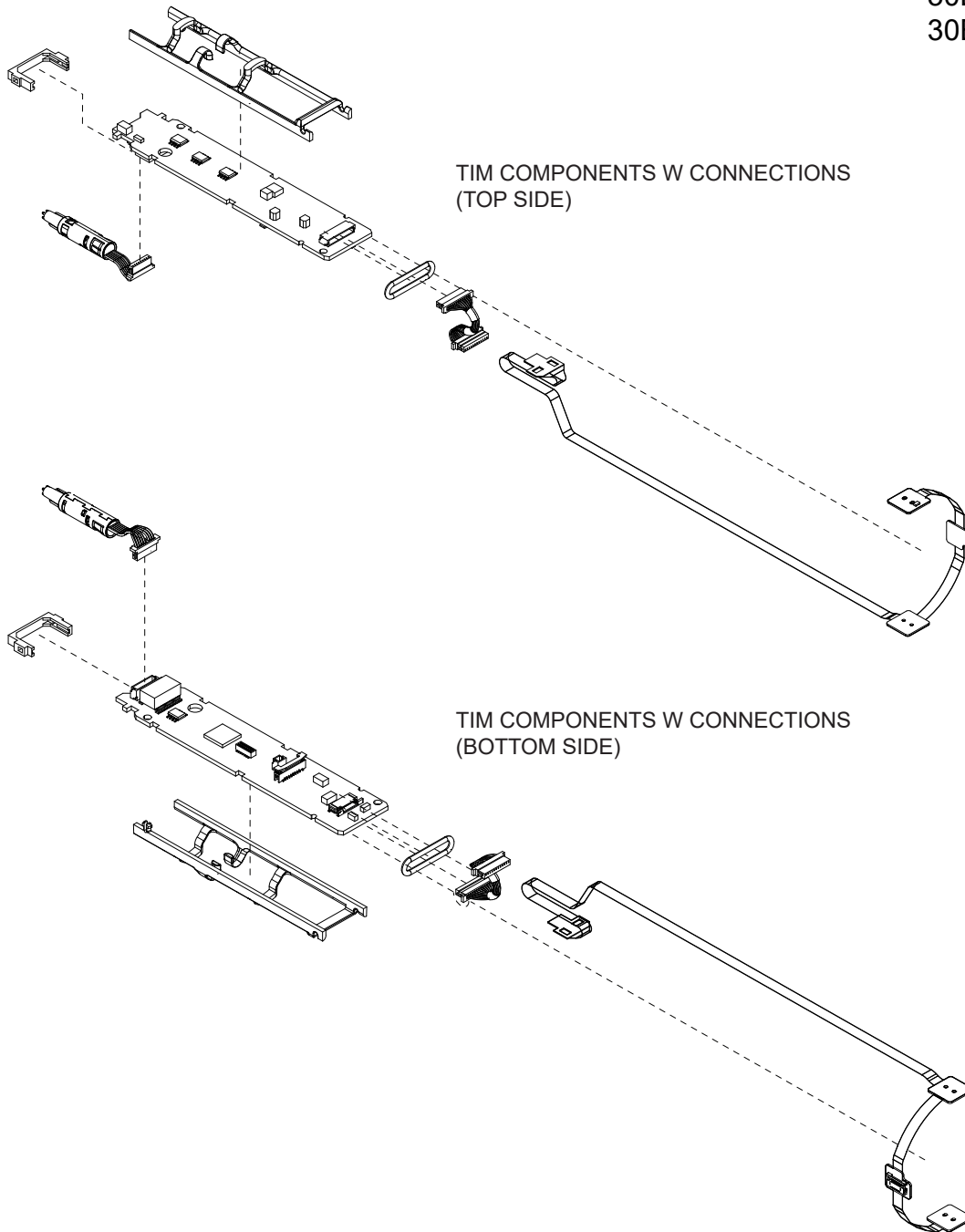
MODELS
30EAN21FA3
30EAN28FA3



11 85 Nm

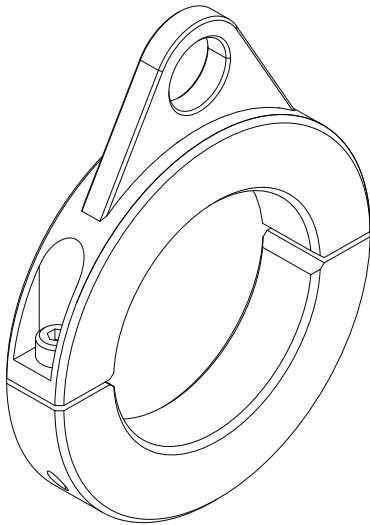
REF	NUMBER	#	EN
			DESCRIPTION
1	302172PT	1	Right Angle Output

= Quantity

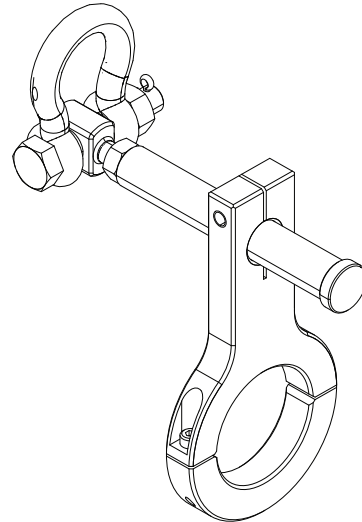
07**MODELS**
30EAN06EA3
30EAN12EA3
30EAN21FA3
30EAN28FA3

08

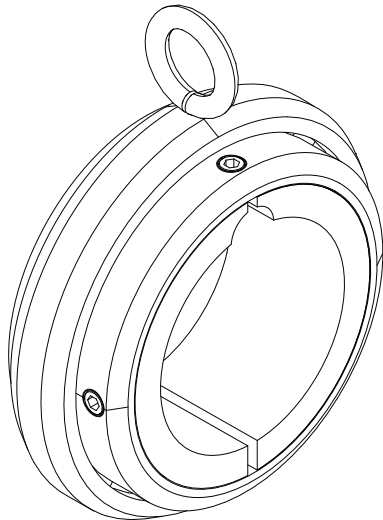
RIGHT ANGLE
AND INLINE
30/50 SERIES



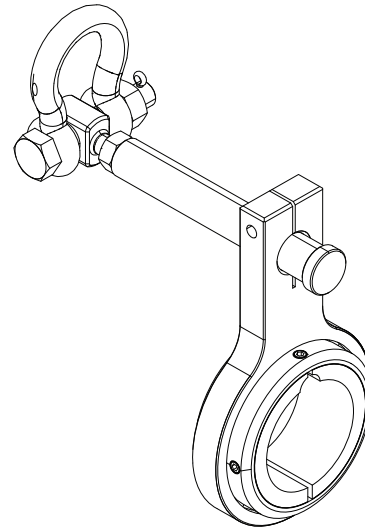
T50-3000048



T50-3000060



T50-3000036



T50-3000061

POWER TOOLS SALES & SERVICE CENTERS

Please note that all locations may not service all products.

Contact the nearest Cleco® Sales & Service Center for the appropriate facility to handle your service requirements.

 Sales Center

 Service Center

NORTH AMERICA | SOUTH AMERICA

Detroit, Michigan

Apex Tool Group
2630 Superior Court
Auburn Hills, MI 48236
Phone: +1 (248) 393-5644
Fax: +1 (248) 391-6295

Lexington, South Carolina

Apex Tool Group
670 Industrial Drive
Lexington, SC 29072
Phone: +1 (800) 845-5629
Phone: +1 (919) 387-0099
Fax: +1 (803) 358-7681

Mexico

Apex Tool Group
Vialidad El Pueblito #103
Parque Industrial Querétaro
Querétaro, QRO 76220
Mexico
Phone: +52 (442) 211 3800
Fax: +52 (800) 685 5560

Brazil

Apex Tool Group
Av. Liberdade, 4055
Zona Industrial Iporanga
Sorocaba, São Paulo
CEP# 18087-170
Brazil
Phone: +55 15 3238 3870
Fax: +55 15 3238 3938

EUROPE | MIDDLE EAST | AFRICA

England

Apex Tool Group GmbH
C/O Spline Gauges
Piccadilly, Tamworth
Staffordshire B78 2ER
United Kingdom
Phone: +44 1827 8727 71
Fax: +44 1827 8741 28

France

Apex Tool Group SAS
25 Avenue Maurice Chevalier - ZI
77330 Ozoir-la-Ferrière
France
Phone: +33 1 64 43 22 00
Fax: +33 1 64 43 17 17

Germany

Apex Tool Group GmbH
Industriestraße 1
73463 Westhausen
Germany
Phone: +49 (0) 73 63 81 0
Fax: +49 (0) 73 63 81 222

Hungary

Apex Tool Group
Hungária Kft.
Platánfa u. 2
9027 Győr
Hungary
Phone: +36 96 66 1383
Fax: +36 96 66 1135

ASIA PACIFIC

Australia

Apex Tool Group
519 Nurigong Street, Albury
NSW 2640
Australia
Phone: +61 2 6058 0300

China

Apex Power Tool Trading
(Shanghai) Co., Ltd.
2nd Floor, Area C
177 Bi Bo Road
Pu Dong New Area, Shanghai
China 201203 P.R.C.
Phone: +86 21 60880320
Fax: +86 21 60880298

India

Apex Power Tool India
Private Limited
Gala No. 1, Plot No. 5
S. No. 234, 235 & 245
Indialand Global
Industrial Park
Taluka-Mulsi, Phase I
Hinjawadi, Pune 411057
Maharashtra, India
Phone: +91 020 66761111

Japan

Apex Tool Group Japan
Korin-Kaikan 5F,
3-6-23 Shibakoen, Minato-Ku,
Tokyo 105-0011, JAPAN
Phone: +81-3-6450-1840
Fax: +81-3-6450-1841

Korea

Apex Tool Group Korea
#1503, Hibrand Living Bldg.,
215 Yangjae-dong,
Seocho-gu, Seoul 137-924,
Korea
Phone: +82-2-2155-0250
Fax: +82-2-2155-0252

Cleco[®]
Production Tools

Apex Tool Group, LLC

Phone: +1 (800) 845-5629
Phone: +1 (919) 387-0099
Fax: +1 (803) 358-7681
www.ClecoTools.com
www.ClecoTools.de