

**Cleco**<sup>®</sup>  
Production Tools

Parts Manual

SP12-1110

2023-01 REV. B

**NeoTek**<sup>™</sup>

**30 EAN Series**

Corded Electric Assembly Tool



For additional product information visit our website at <http://www.ClecoTools.com>

Copyright © Apex Tool Group, 2020

No part of this document may be reproduced in any way or in any form, in whole or in part, or in a natural or machine-readable language, or transmitted on electronic, mechanical, optical, or other media, without the express permission of the Apex Tool Group.

### **Disclaimer**

The Apex Tool Group reserves the right to modify, supplement, or improve this document or the product without prior notice.

### **Trademark**

Cleco is a registered trademark of Apex Brands, Inc.

### **Apex Tool Group**

670 Industrial Drive  
Lexington, SC 29072

### **Manufacturer:**

Apex Tool Group, LLC  
670 Industrial Drive  
Lexington, South Carolina 29072, USA

### **Importers:**

Apex Tool Group GmbH  
Industriestraße 1  
73463 Westhausen, Germany

Apex Tool Group SAS  
25 Avenue Maurice Chevalier - ZI  
77330 Ozoir-La-Ferrière  
France

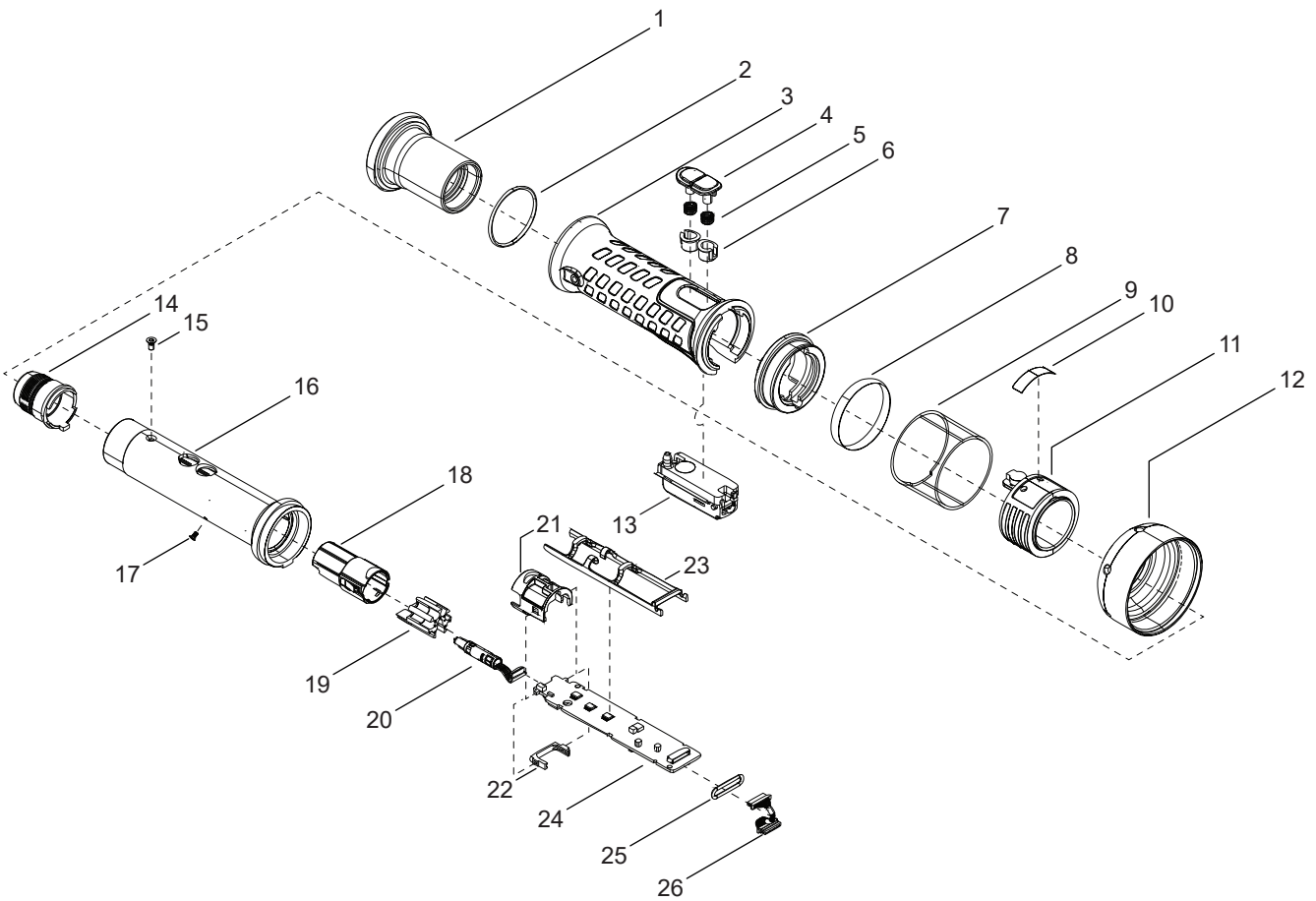
### **Further Document for Safety Instructions**





<b>No.</b>	<b>Document type</b>
TM12-1109	Instruction Manual 30 & 50 & 70 Series NeoTek



**01**

MODELS  
30EAN06EA3  
30EAN12EA3  
30EAN21FA3  
30EAN28FA3



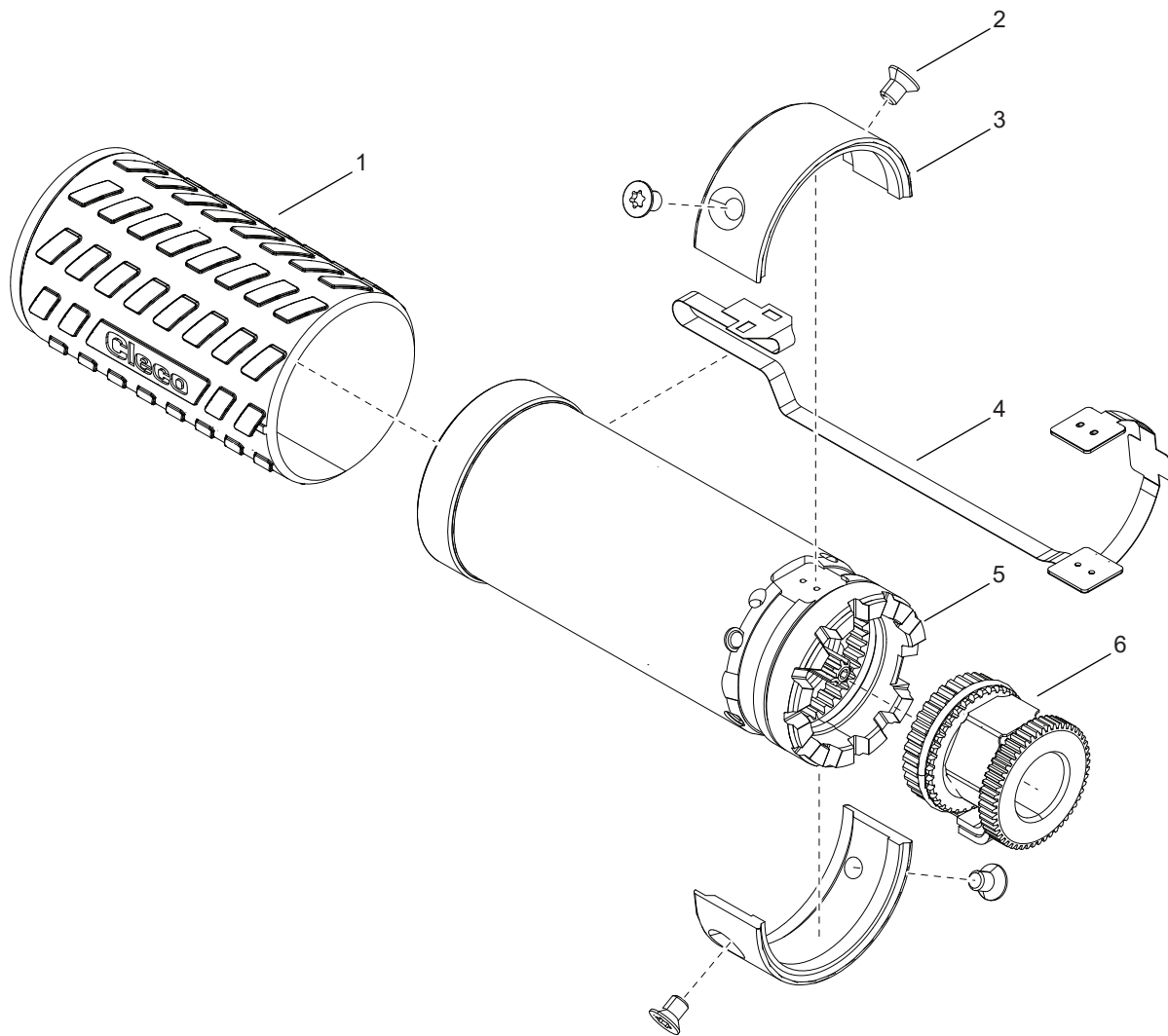
-  # 1 44 Nm
-  # 12 90 Nm
-  # 16 0.9 Nm
-  # 18 0.42 Nm

REF	NUMBER	#	EN
			DESCRIPTION
1	208746PT	1	Handle Nut
2	22598	1	O Ring
3	208532PT	1	Handle Grip
4	207918PT	2	Button
5	208002PT	2	Spring
6	207963PT	2	Button Guide
7	207964PT	1	Label Ring
8	207951PT	1	Label
9	207925PT	1	Protective Ring
10	207967PT	1	Label
11	207905PT	1	Light Ring Assembly
12	207904PT	1	Handle Nut
13	302086PT	1	Start Switch Assembly
14	961559PT	1	Housing Connector
15	207921PT	1	Screw
16	207903PT	1	Inner Handle
17	207949PT	1	Screw
18	961558PT	1	Connector Body
19	961692PT	1	Contact Carrier
20	961557PT	1	TIM Cable
21	961564PT	1	Circuit Board Holder
22	961575PT	1	Rubber Grommet
23	T50-1000391	1	Wire Guide
24	961668PT	1	TIM Board
25	60371	1	O Ring
26	961594PT	1	Encoder Cable

# = Quantity

02

MODELS  
30EAN06EA3  
30EAN12EA3  
30EAN21FA3  
30EAN28FA3



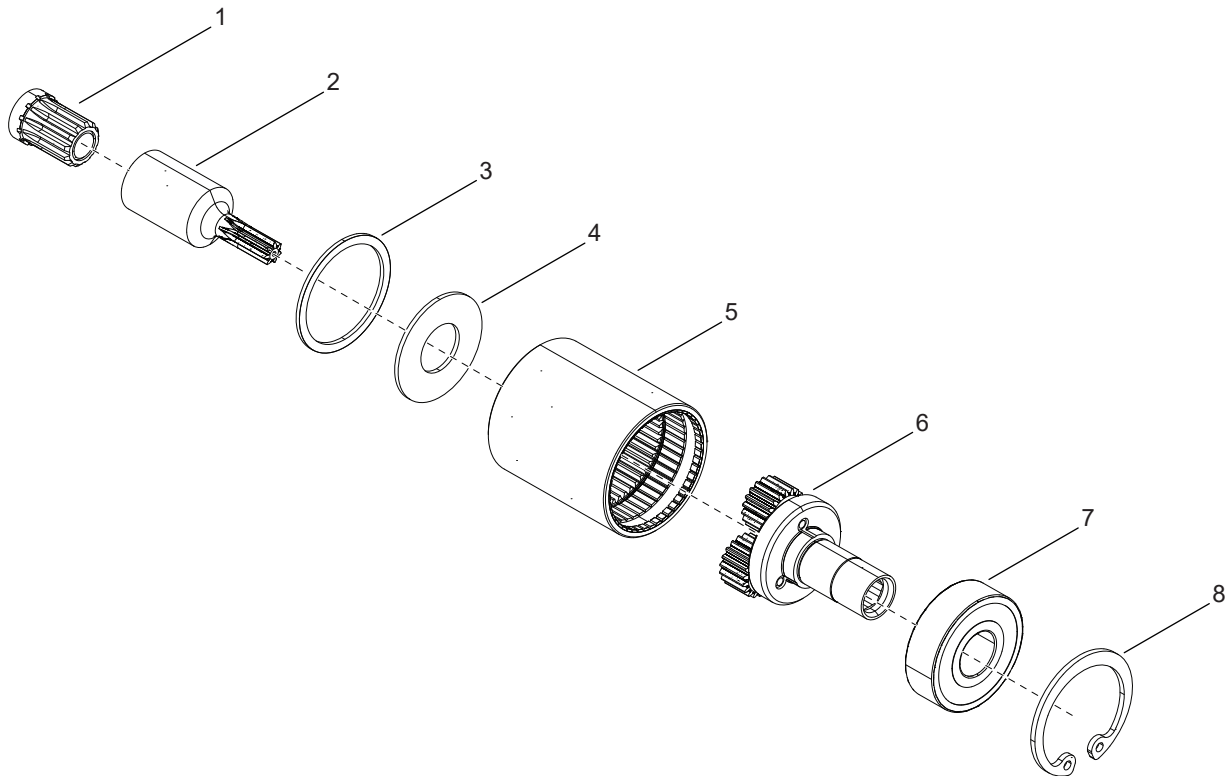
# 2 12.5 Nm

REF	NUMBER	#	EN
			DESCRIPTION
1	208046PT	1	Motor Cover
2	208871PT	4	Screw
3	208869PT	2	Accessory Cover
4	961556PT	1	Flex Cable
5	T50-3000528	1	Motor Assembly
6	See Table 1	1	Transducer

# = Quantity

TABLE 1						
REF	DESCRIPTION	#	30EAN06EA3	30EAN12EA3	30EAN21FA3	30EAN28FA3
6	Transducer	1	961602PT-004	961602PT-009	961602PT-019	961602PT-025

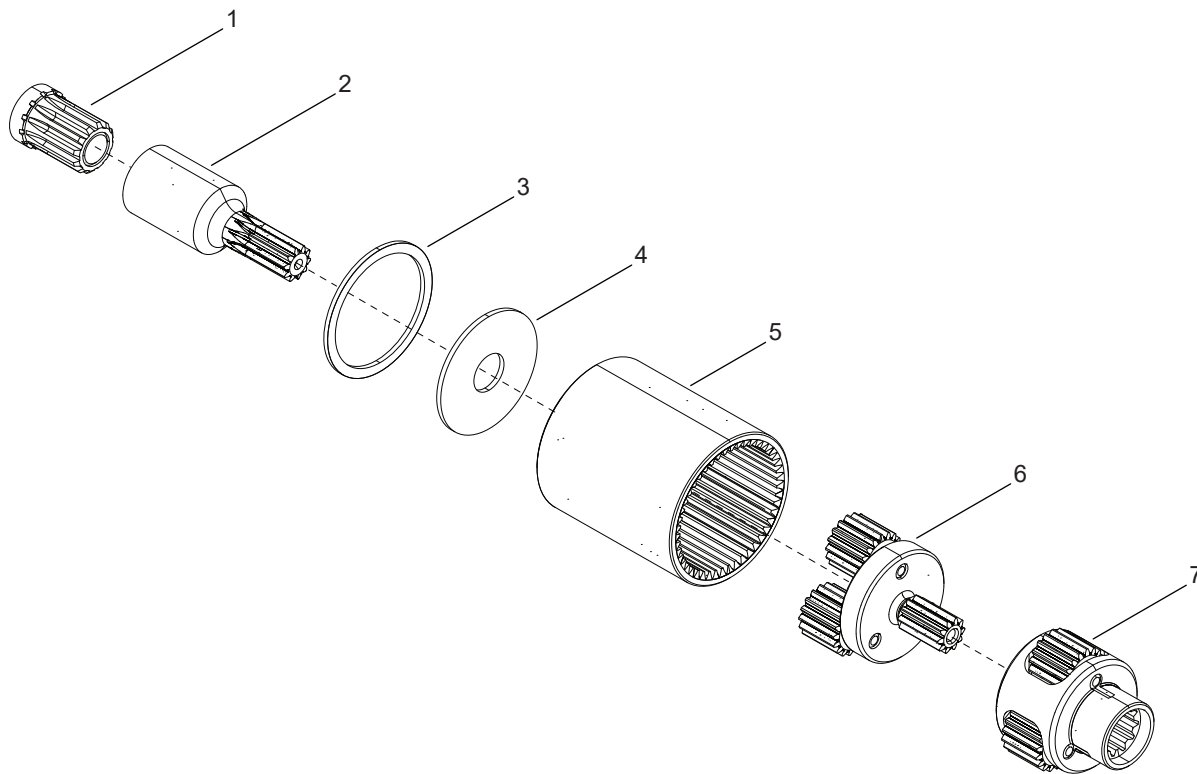
# = Quantity

**03**MODELS  
30EAN06EA3



REF	NUMBER	#	EN
			DESCRIPTION
1	541044	1	Pinion Adapter
2	208161PT	1	Pinion Extension
3	208185PT	1	Retaining Ring
4	208482PT	1	Washer
5	208660PT	1	Ring Gear
6	T50-3000658	1	Planetary Gear Assembly
7	208679PT	1	Bearing
8	208750PT	1	Retaining Ring

# = Quantity

**04**MODELS  
30EAN12EA3  
30EAN21FA3  
30EAN28FA3

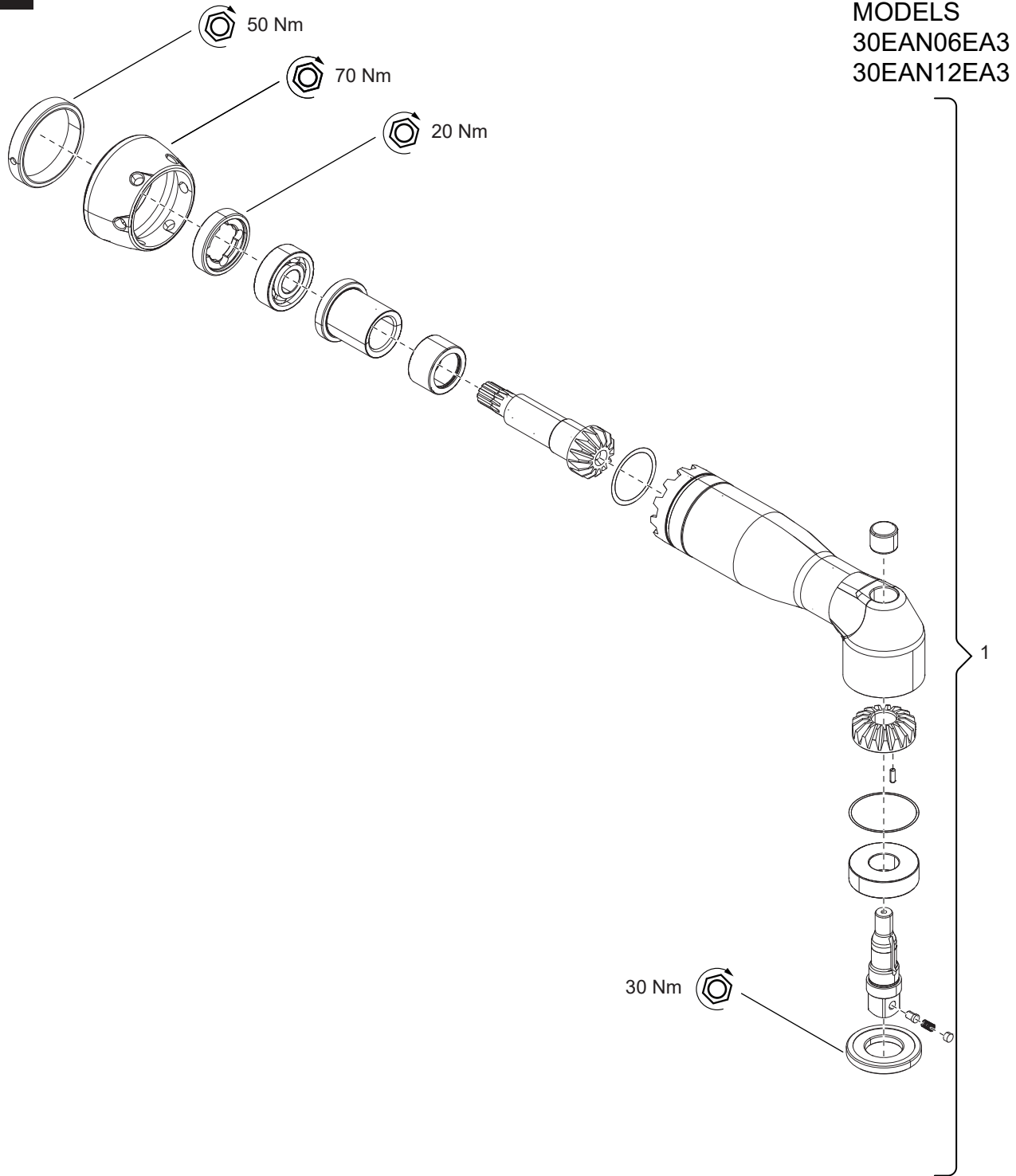
REF	NUMBER	#	EN
			DESCRIPTION
1	541044	1	Pinion Adapter
2	See Table 3	1	Pinion Extension
3	208185PT	1	Retaining Ring
4	See Table 3	1	Washer
5	208159PT	1	Ring Gear
6	See Table 3	1	Planetary Gear Assembly
7	See Table 3	1	Planetary Gear Assembly

# = Quantity

TABLE 3					
REF	DESCRIPTION	#	30EAN12EA3	30EAN21FA3	30EAN28FA3
2	Pinion Extension	1	208479PT	208137PT	208161PT
4	Washer	1	208482PT	208486PT	208486PT
6	Planetary Gear Assembly	1	T50-3000659	T50-3000587	T50-3000589
7	Planetary Gear Assembly	1	T50-3000660	T50-3000662	T50-3000662

# = Quantity

**05**

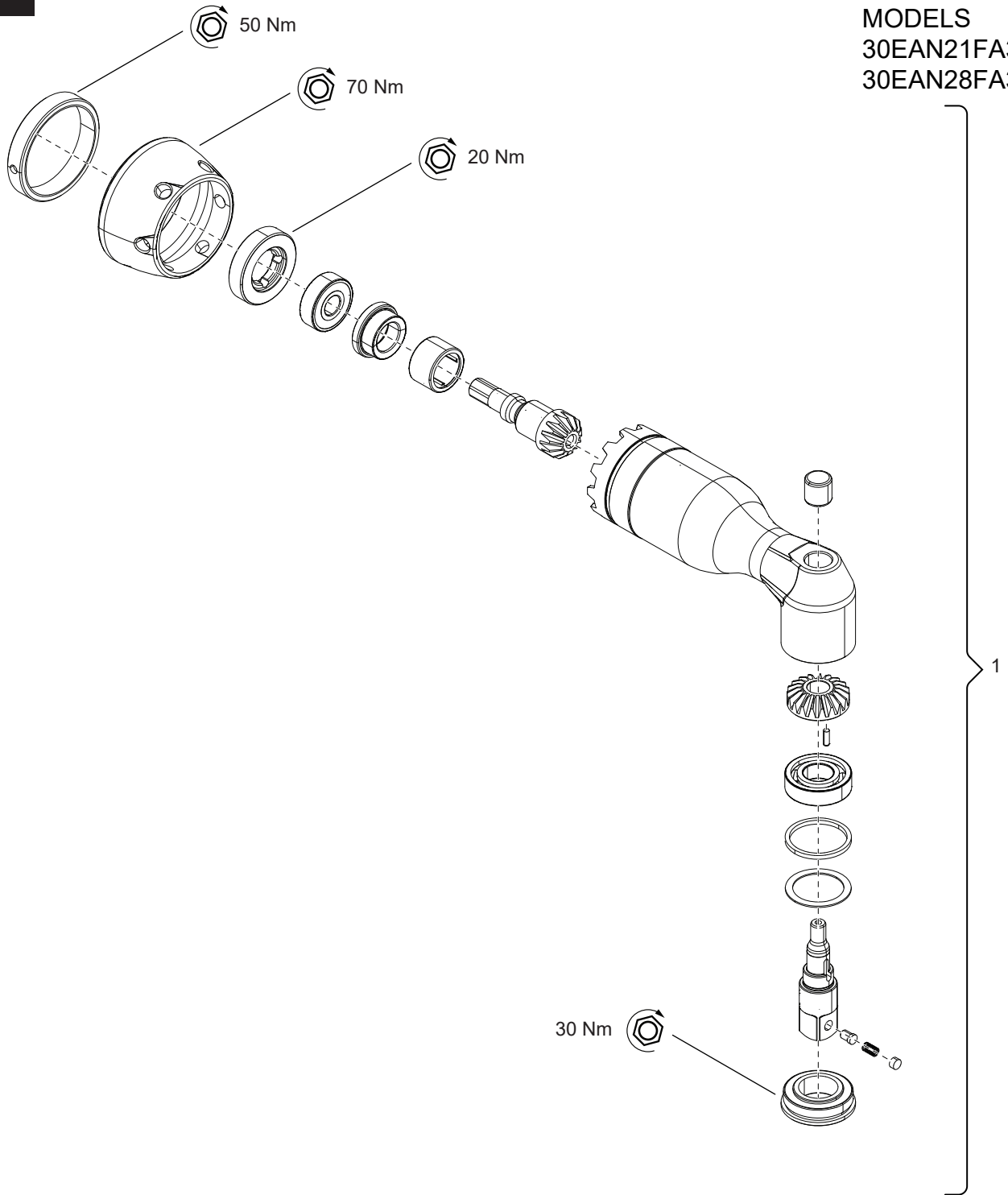



REF	NUMBER	#	EN
			DESCRIPTION
1	302102PT	1	Right Angle Output

# = Quantity

**06**

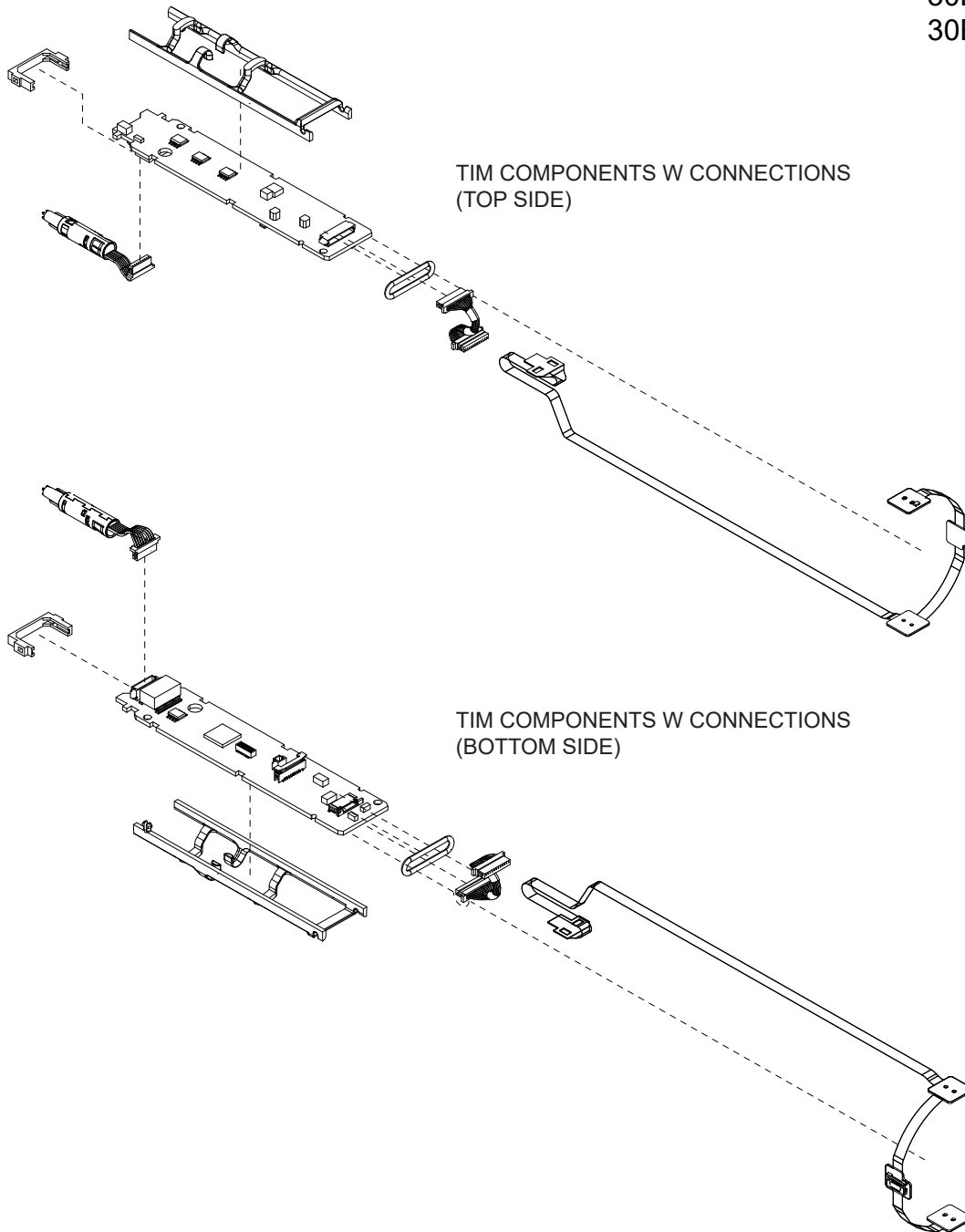
MODELS  
30EAN21FA3  
30EAN28FA3



 # 11 85 Nm

REF	NUMBER	#	EN
			DESCRIPTION
1	302172PT	1	Right Angle Output

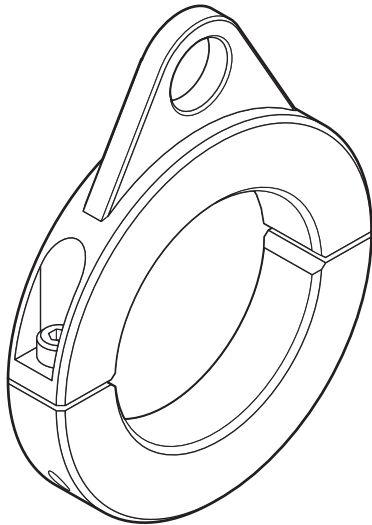
# = Quantity

**07****MODELS**  
30EAN06EA3  
30EAN12EA3  
30EAN21FA3  
30EAN28FA3

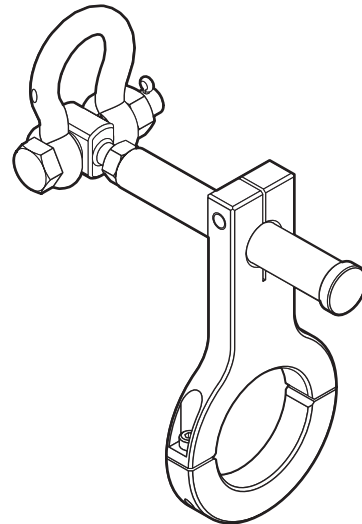


08

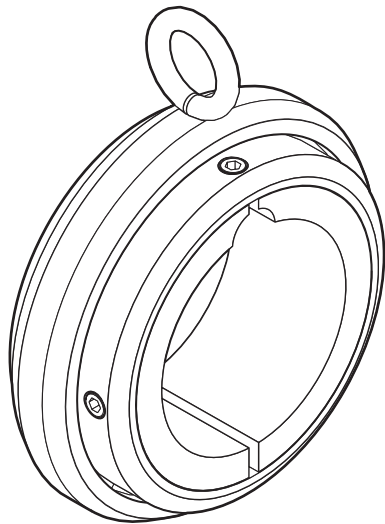
RIGHT ANGLE  
AND INLINE  
30/50 SERIES



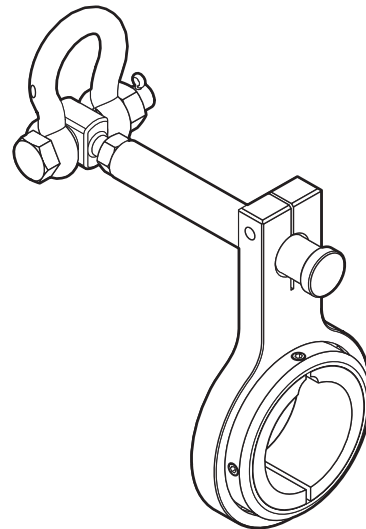
T50-3000048



T50-3000060



T50-3000063 - LOCATION, MOTOR HOUSING  
T50-3000063 - 1 - MODEL 30EAN28FA3 - LOCATION,  
ANGLE HEAD





T50-3000061

# POWER TOOLS SALES & SERVICE CENTERS

Please note that all locations may not service all products.

Contact the nearest Cleco® Sales & Service Center for the appropriate facility to handle your service requirements.

-  Sales Center
-  Service Center

## NORTH AMERICA | SOUTH AMERICA

### Detroit, Michigan

Apex Tool Group  
2630 Superior Court  
Auburn Hills, MI 48236  
Phone: +1 (248) 393-5644  
Fax: +1 (248) 391-6295

### Lexington, South Carolina

Apex Tool Group  
670 Industrial Drive  
Lexington, SC 29072  
Phone: +1 (800) 845-5629  
Phone: +1 (919) 387-0099  
Fax: +1 (803) 358-7681

### Mexico

Apex Tool Group  
Vialidad El Pueblito #103  
Parque Industrial Querétaro  
Querétaro, QRO 76220  
Mexico  
Phone: +52 (442) 211 3800  
Fax: +52 (800) 685 5560

### Brazil

Apex Tool Group  
Av. Liberdade, 4055  
Zona Industrial Iporanga  
Sorocaba, São Paulo  
CEP# 18087-170  
Brazil  
Phone: +55 15 3238 3870  
Fax: +55 15 3238 3938

## EUROPE | MIDDLE EAST | AFRICA

### England

Apex Tool Group GmbH  
C/O Spline Gauges  
Piccadilly, Tamworth  
Staffordshire B78 2ER  
United Kingdom  
Phone: +44 1827 8727 71  
Fax: +44 1827 8741 28

### France

Apex Tool Group SAS  
25 Avenue Maurice Chevalier - ZI  
77330 Ozoir-la-Ferrière  
France  
Phone: +33 1 64 43 22 00  
Fax: +33 1 64 43 17 17

### Germany

Apex Tool Group GmbH  
Industriestraße 1  
73463 Westhausen  
Germany  
Phone: +49 (0) 73 63 81 0  
Fax: +49 (0) 73 63 81 222

### Hungary

Apex Tool Group  
Hungária Kft.  
Platánfa u. 2  
9027 Győr  
Hungary  
Phone: +36 96 66 1383  
Fax: +36 96 66 1135

## ASIA PACIFIC

### Australia

Apex Tool Group  
519 Nurigong Street, Albury  
NSW 2640  
Australia  
Phone: +61 2 6058 0300

### China

Apex Power Tool Trading  
(Shanghai) Co., Ltd.  
2nd Floor, Area C  
177 Bi Bo Road  
Pu Dong New Area, Shanghai  
China 201203 P.R.C.  
Phone: +86 21 60880320  
Fax: +86 21 60880298

### India

Apex Power Tool India  
Private Limited  
Gala No. 1, Plot No. 5  
S. No. 234, 235 & 245  
Indialand Global  
Industrial Park  
Taluka-Mulsi, Phase I  
Hinjawadi, Pune 411057  
Maharashtra, India  
Phone: +91 020 66761111

### Japan

Apex Tool Group Japan  
Korin-Kaikan 5F,  
3-6-23 Shibakoen, Minato-Ku,  
Tokyo 105-0011, JAPAN  
Phone: +81-3-6450-1840  
Fax: +81-3-6450-1841

### Korea

Apex Tool Group Korea  
#1503, Hibrand Living Bldg.,  
215 Yangjae-dong,  
Seocho-gu, Seoul 137-924,  
Korea  
Phone: +82-2-2155-0250  
Fax: +82-2-2155-0252

**Cleco**<sup>®</sup>  
Production Tools

### Apex Tool Group, LLC

Phone: +1 (800) 845-5629  
Phone: +1 (919) 387-0099  
Fax: +1 (803) 358-7681  
www.ClecoTools.com  
www.ClecoTools.de