

Cleco[®]
Production Tools

Parts Manual

SP12-1112

2020-02

NeoTek[™]

30EP Series

Corded Electric Assembly Tool



For additional product information visit our website at <http://www.ClecoTools.com>

Copyright © Apex Tool Group, 2020

No part of this document may be reproduced in any way or in any form, in whole or in part, or in a natural or machine-readable language, or transmitted on electronic, mechanical, optical, or other media, without the express permission of the Apex Tool Group.

Disclaimer

The Apex Tool Group reserves the right to modify, supplement, or improve this document or the product without prior notice.

Trademark

Cleco is a registered trademark of Apex Brands, Inc.

Apex Tool Group

670 Industrial Drive
 Lexington, SC 29072

Manufacturer:

Apex Tool Group, LLC
 670 Industrial Drive
 Lexington, South Carolina 29072, USA

Importers:

Apex Tool Group GmbH
 Industriestraße 1
 73463 Westhausen, Germany

Apex Tool Group SAS
 25 Avenue Maurice Chevalier - ZI
 77330 Ozoir-La-Ferrière
 France

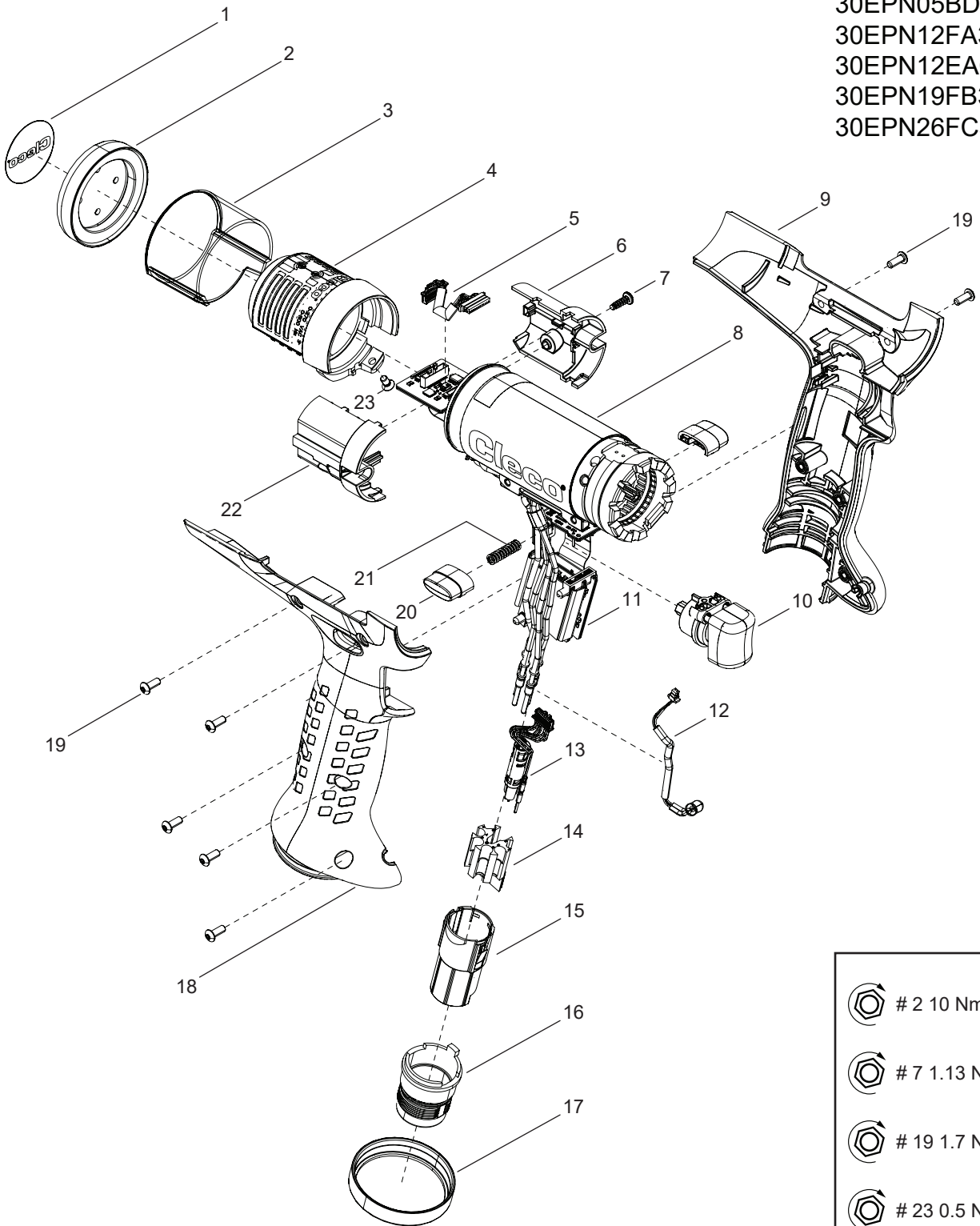
Further Document for Safety Instructions

No.	Document type
TM12-1109	Instruction Manual 30 & 50 & 70 Series NeoTek

01

MODELS


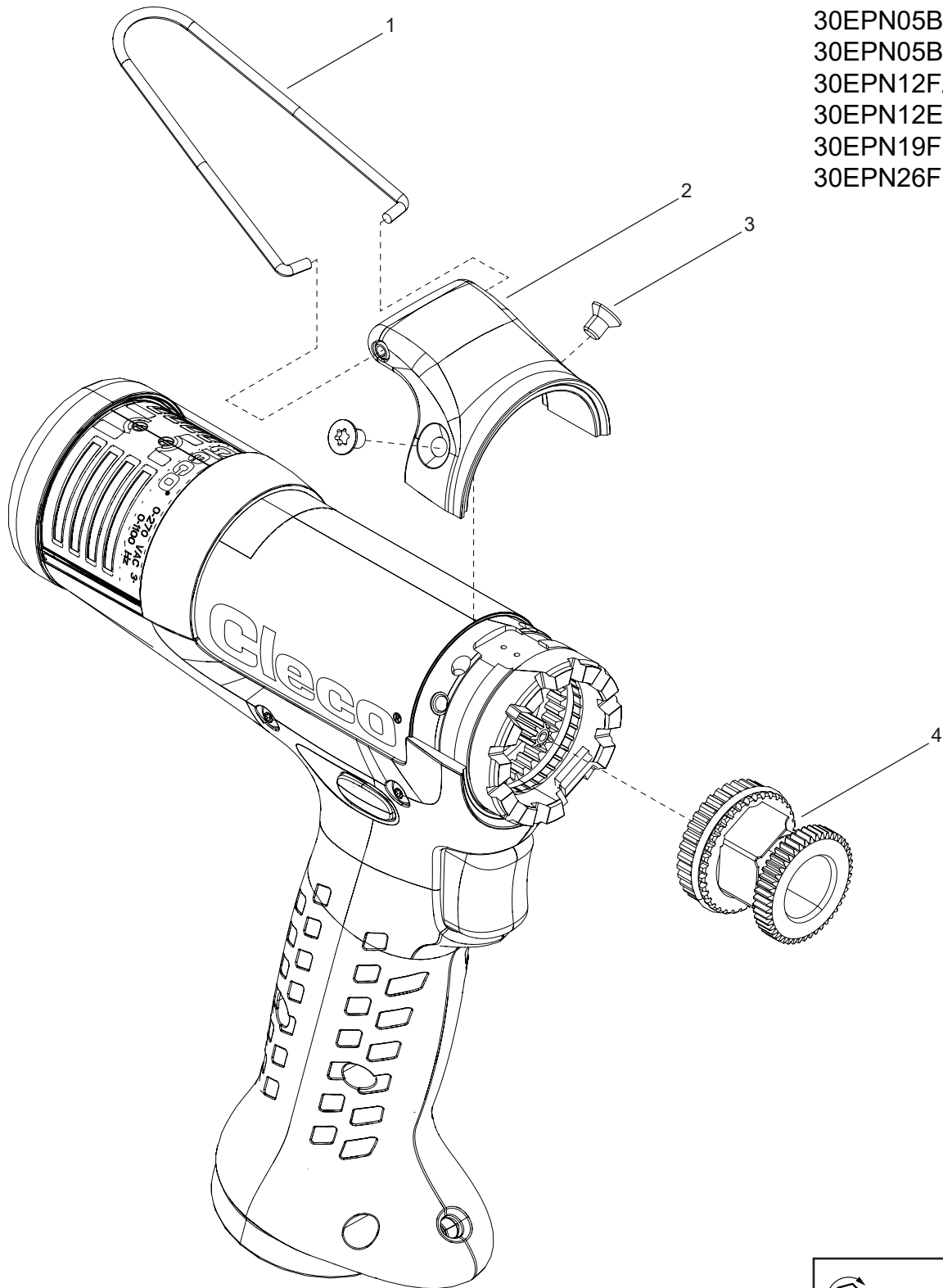
- 30EPN05BD2
- 30EPN05BDQ
- 30EPN12FA3
- 30EPN12EAQ
- 30EPN19FB3
- 30EPN26FC3



REF	NUMBER	#	EN
			DESCRIPTION
1	T50-1000328	1	End Cap Decal
2	T50-1000244	1	End Cap Housing
3	T50-1000245	1	Light Ring Cover
4	T50-3000163	1	Light Ring Assembly
5	T55-1000046	1	Encoder Harness
6	T50-1000247	1	Left Hand TIM Board Housing
7	208825PT	1	Screw
8	T50-3000207	1	Motor Assembly
9	T50-1000259	1	Left Hand Handle Housing
10	T50-3000164	1	Trigger Assembly
11	T50-3000119	1	TIM PCB
12	T50-1000308	1	Work Light LED
13	T55-1000044	1	Ethernet Connection Cable
14	961692PT	1	Contact Carrier
15	961558PT	1	Connector Body
16	961559PT	1	Housing Connector
17	T50-1000125	1	Retainer Ring
18	T50-1000250	1	Right Hand Handle Housing
19	T50-1000327-1	7	Screw
20	T50-3000139	2	Button
21	T50-1000048-2	1	Compression Spring
22	T50-1000246	1	Right Hand TIM Board Housing
23	207921PT	1	Screw

= Quantity

02

 # 3 1.1 Nm

REF	NUMBER	#	EN
			DESCRIPTION
1	931962	1	Suspension Bail
2	T50-3000184	1	Accessory Cover
3	208871PT	2	Screw
4	See Table 2	1	Transducer Assembly

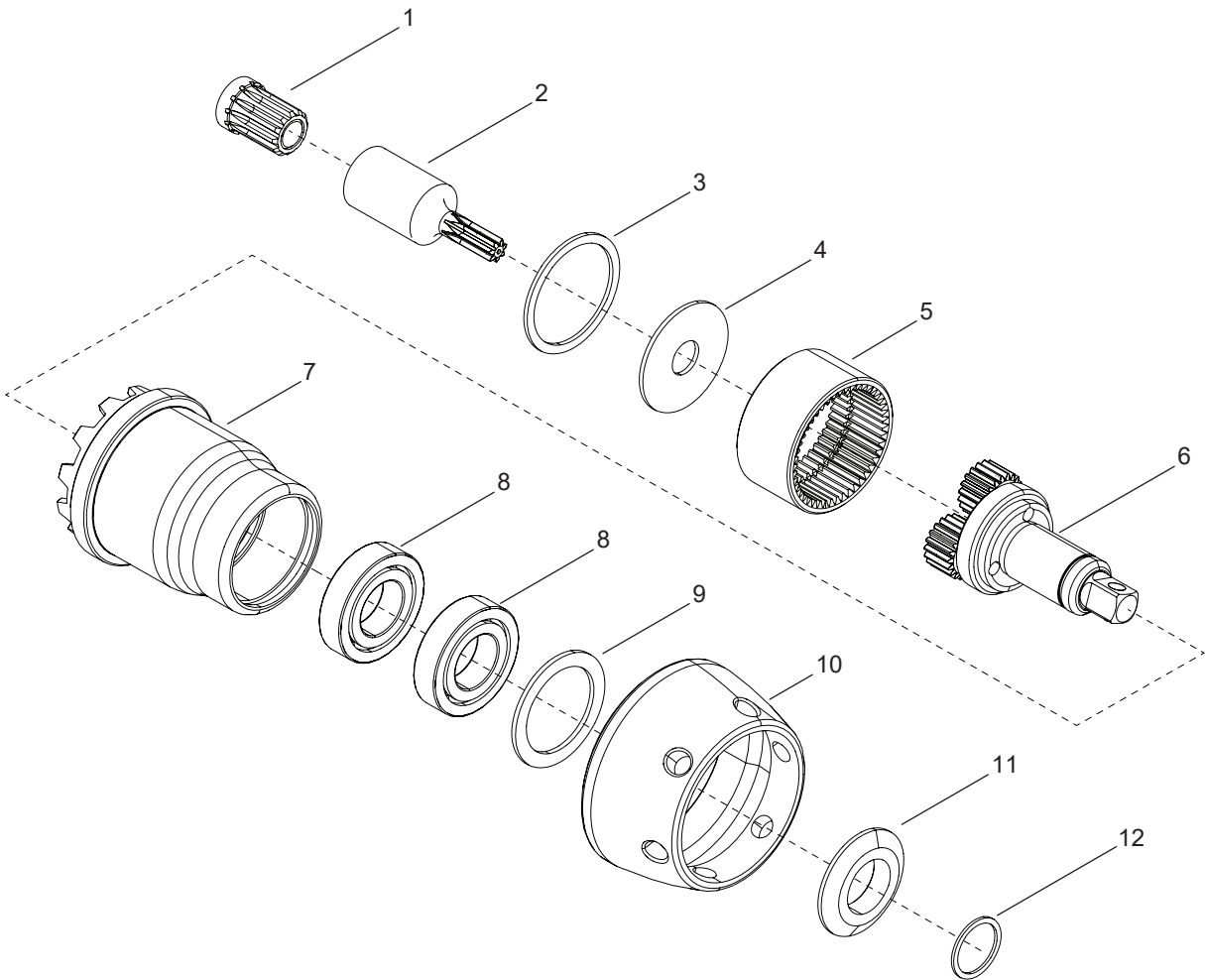
= Quantity

TABLE 2								
REF	NUMBER	#	30EPN05BD2	30EPN05BDQ	30EPN12FA3	30EPN12EAQ	30EPN19FB3	30EPN26FC3
4	Transducer Assembly	1	961602PT-004	961602PT-004	961602PT-019	961602PT-019	961602PT-019	961602PT-025
	Transducer Capacity		4 Nm	4 Nm	19 Nm	19 Nm	19 Nm	25 Nm

= Quantity

03

MODEL
30EPN05BD2



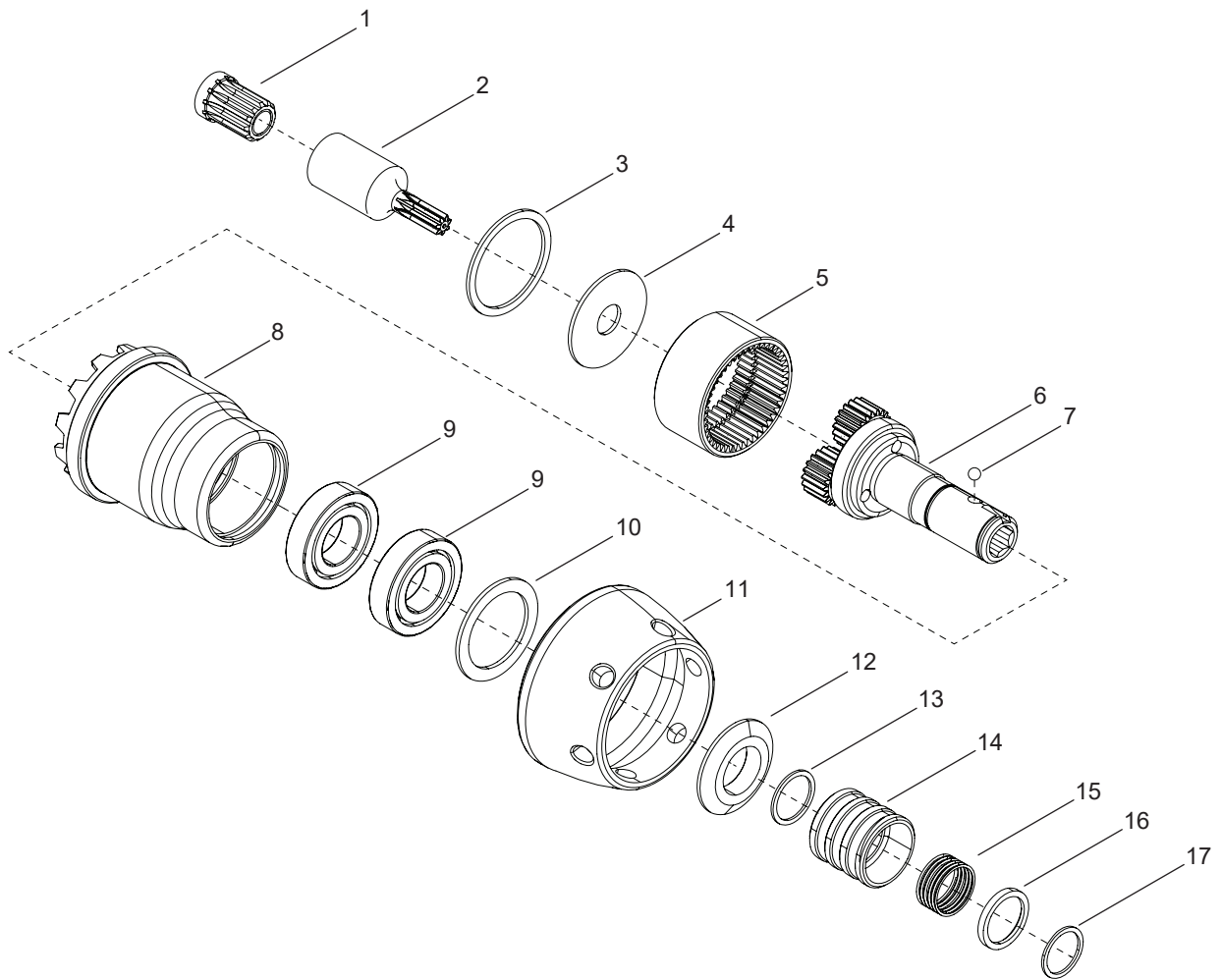
 # 10 70 Nm


REF	NUMBER	#	EN
			DESCRIPTION
1	541044	1	Pinion Adapter
2	208161PT	1	Pinion Extension
3	208185PT	1	Retaining Ring
4	208486PT	1	Washer
5	208520PT	1	Ring Gear
6	T50-3000583	1	Planetary Gear Asm
7	T50-1000139	1	Gear Case
8	542089	2	Bearing
9	542076	1	Retaining Ring
10	208128PT	1	Lock Nut
11	541919	1	Spindle Washer
12	800216	1	Retaining Ring

= Quantity

04

MODEL
30EPN05BDQ



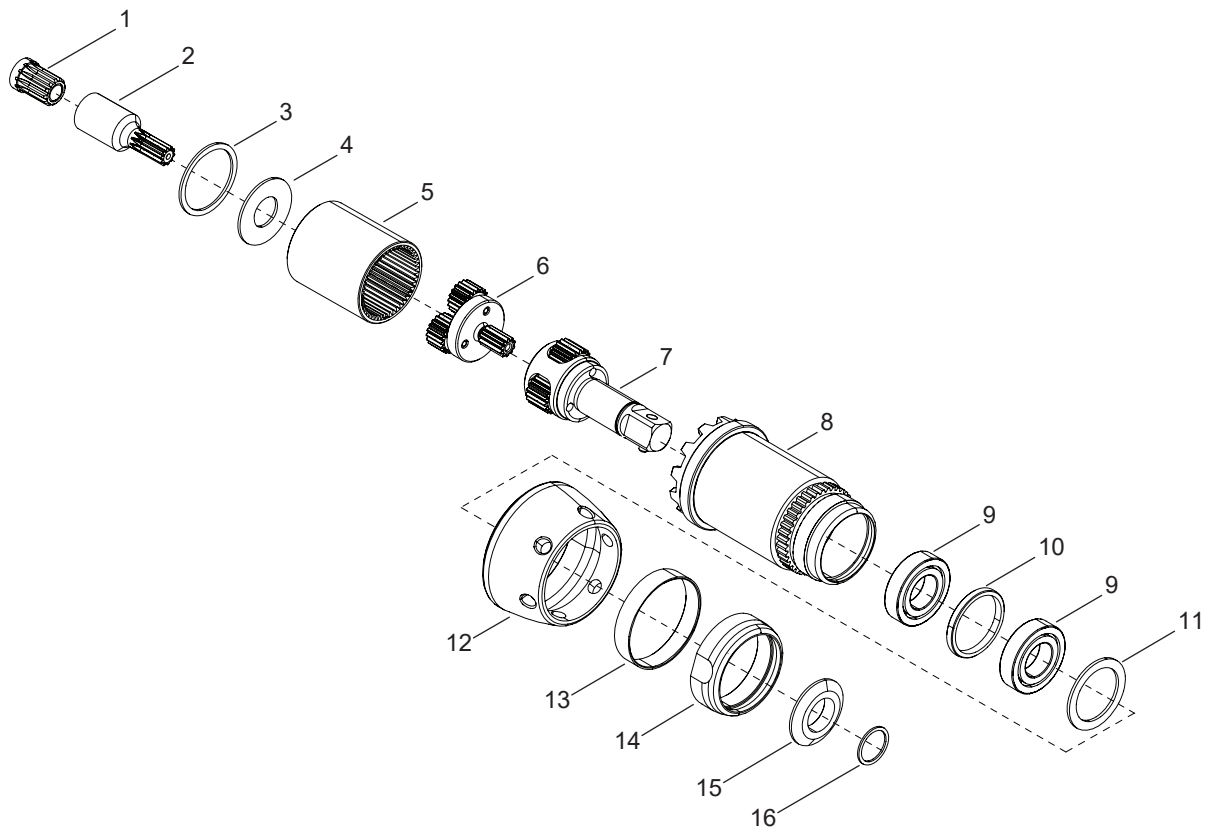
 # 11 70 Nm

REF	NUMBER	#	EN
			DESCRIPTION
1	541044	1	Pinion Adapter
2	208161PT	1	Pinion Extension
3	208185PT	1	Retaining Ring
4	208486PT	1	Washer
5	208520PT	1	Ring Gear
6	T50-3000584	1	Planetary Gear Asm
7	844265	1	Ball
8	T50-1000139	1	Gear Case
9	542089	2	Bearing
10	542076	1	Retaining Ring
11	208128PT	1	Lock Nut
12	541914	1	Spindle Washer
13	800135	1	Retaining Ring
14	536592	1	Sleeve
15	540842	1	Spring
16	540800	1	Washer
17	503009	1	Retaining Ring

= Quantity

05

MODELS
30EPN12FA3
30EPN19FB3
30EPN26FC3



 # 12 70 Nm

REF	NUMBER	#	EN
			DESCRIPTION
1	541044	1	Pinion Adapter
2	See Table 5	1	Pinion Extension
3	208185PT	1	Retaining Ring
4	See Table 5	1	Washer
5	208159PT	1	Ring Gear
6	See Table 5	1	Planetary Gear Asm
7	See Table 5	1	Planetary Gear Asm
8	280720PT	1	Gear Case
9	542089	2	Bearing
10	541775	1	Bearing Spacer
11	542076	1	Retaining Ring
12	208128PT	1	Lock Nut
13	208721PT	1	Beauty Ring
14	208722PT	1	Retaining Nut
15	541919	1	Spindle Washer
16	800216	1	Retaining Ring

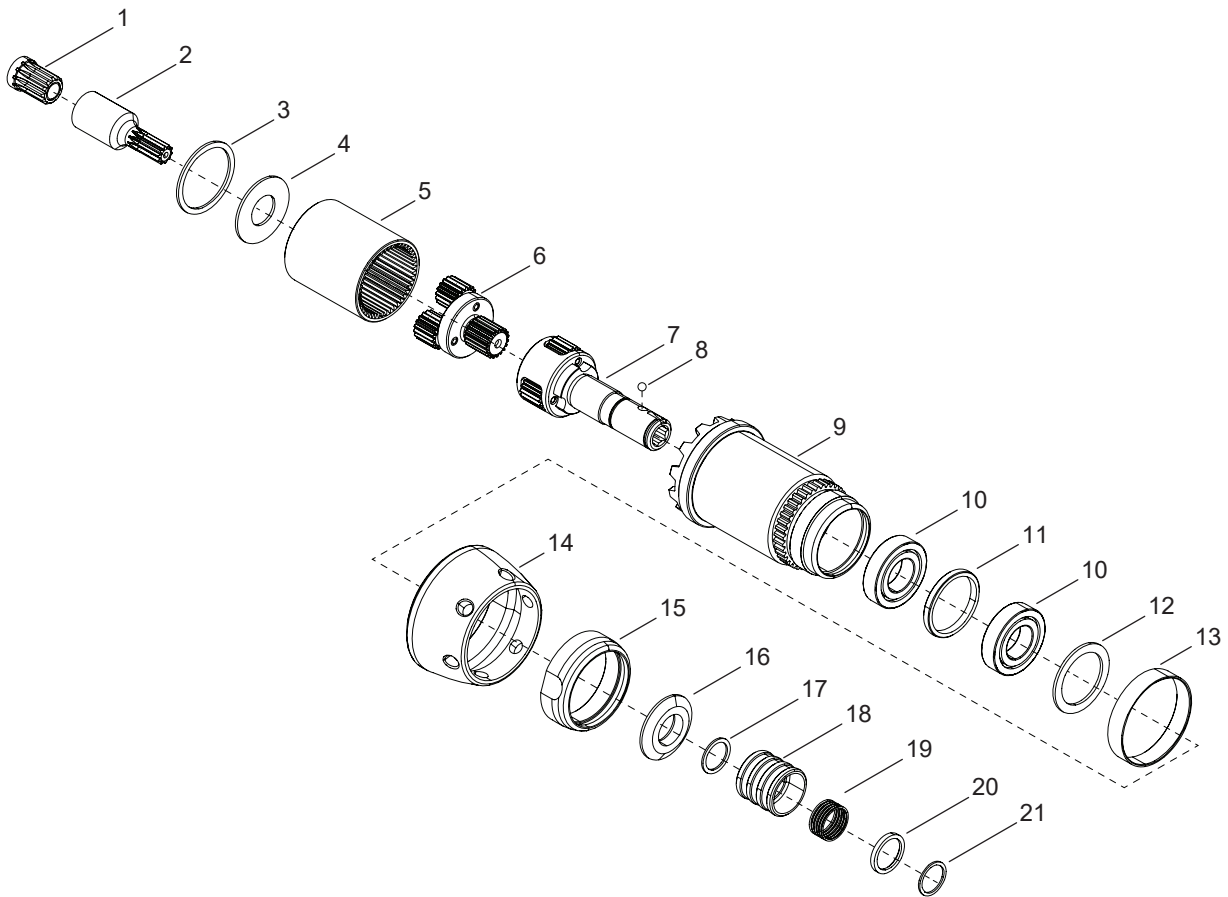
= Quantity


TABLE 5					
REF	NUMBER	#	30EPN12FA3	30EPN19FB3	30EPN26FC3
2	Pinion Extension	1	208137PT	208137PT	208161PT
4	Washer	1	208482PT	208486PT	208486PT
6	Planetary Gear Asm	1	T50-3000585	T50-3000587	T50-3000589
7	Planetary Gear Asm	1	T50-3000586	T50-3000588	T50-3000588

= Quantity

06

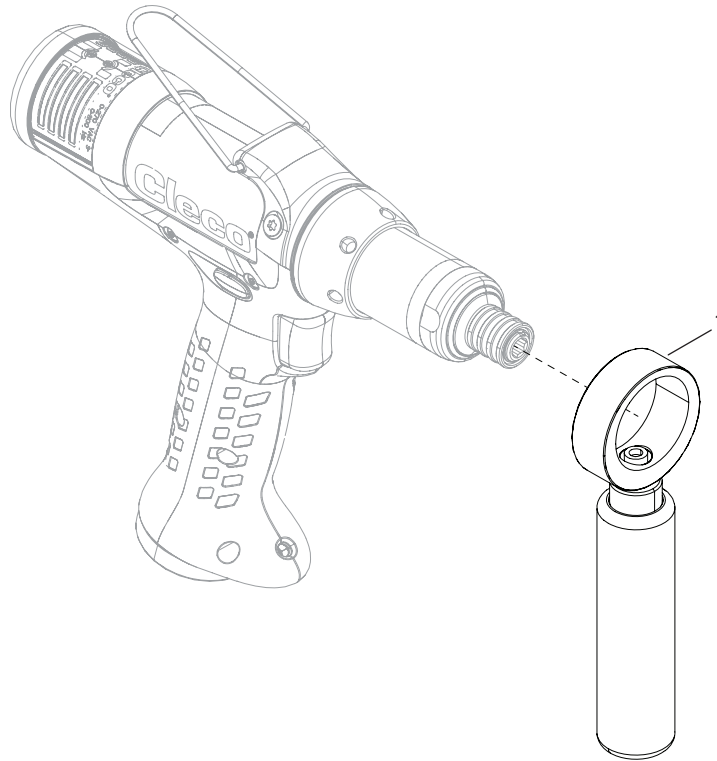
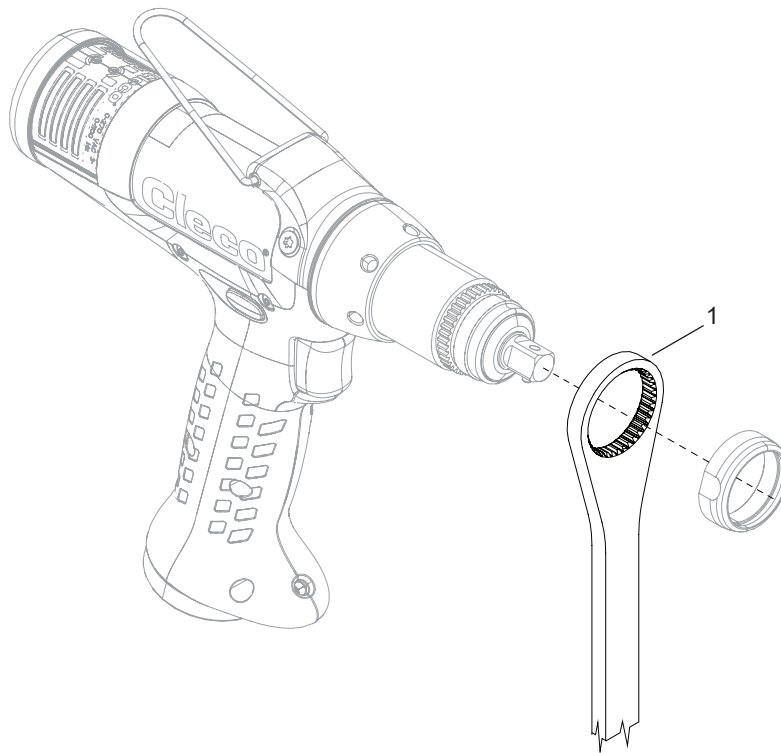
MODEL
30EPN12EAQ



 # 14 70 Nm

REF	NUMBER	#	EN
			DESCRIPTION
1	541044	1	Pinion Adapter
2	208137PT	1	Pinion Extension
3	208185PT	1	Retaining Ring
4	208482PT	1	Washer
5	208159PT	1	Ring Gear
6	T50-3000585	1	Planetary Gear Asm
7	T50-3000591	1	Planetary Gear Asm
8	844265	1	Ball
9	208720PT	1	Gear Case
10	542089	2	Bearing
11	541775	1	Bearing Spacer
12	542076	1	Retaining Ring
13	208721PT	1	Beauty Ring
14	208128PT	1	Lock Nut
15	208722PT	1	Retaining Nut
16	541919	1	Spindle Washer
17	800135	1	Retaining Ring
18	536592	1	Sleeve
19	540842	1	Spring
20	540800	1	Washer
21	503009	1	Retaining Ring

= Quantity

07MODELS
30EPN12EAQ
30EPN12FA3**08**MODELS
30EPN19FB3
30EPN26FC3



REF	NUMBER	#	30EPN05BD2	30EPN05BDQ	30EPN12FA3	30EPN12EAQ	30EPN19FB3	30EPN26FC3
1	Dead Handle	1	N/A	N/A	301943PT	301943PT	N/A	N/A
1	Reaction Bar	1	N/A	N/A	N/A	N/A	542127	542127

= Quantity

POWER TOOLS SALES & SERVICE CENTERS

Please note that all locations may not service all products.

Contact the nearest Cleco® Sales & Service Center for the appropriate facility to handle your service requirements.

-  Sales Center
-  Service Center

NORTH AMERICA | SOUTH AMERICA

Detroit, Michigan

Apex Tool Group
2630 Superior Court
Auburn Hills, MI 48236
Phone: +1 (248) 393-5644
Fax: +1 (248) 391-6295

Lexington, South Carolina

Apex Tool Group
670 Industrial Drive
Lexington, SC 29072
Phone: +1 (800) 845-5629
Phone: +1 (919) 387-0099
Fax: +1 (803) 358-7681

Mexico

Apex Tool Group
Vialidad El Pueblito #103
Parque Industrial Querétaro
Querétaro, QRO 76220
Mexico
Phone: +52 (442) 211 3800
Fax: +52 (800) 685 5560

Brazil

Apex Tool Group
Av. Liberdade, 4055
Zona Industrial Iporanga
Sorocaba, São Paulo
CEP# 18087-170
Brazil
Phone: +55 15 3238 3870
Fax: +55 15 3238 3938

EUROPE | MIDDLE EAST | AFRICA

England

Apex Tool Group GmbH
C/O Spline Gauges
Piccadilly, Tamworth
Staffordshire B78 2ER
United Kingdom
Phone: +44 1827 8727 71
Fax: +44 1827 8741 28

France

Apex Tool Group SAS
25 Avenue Maurice Chevalier - ZI
77330 Ozoir-la-Ferrière
France
Phone: +33 1 64 43 22 00
Fax: +33 1 64 43 17 17

Germany

Apex Tool Group GmbH
Industriestraße 1
73463 Westhausen
Germany
Phone: +49 (0) 73 63 81 0
Fax: +49 (0) 73 63 81 222

Hungary

Apex Tool Group
Hungária Kft.
Platánfa u. 2
9027 Győr
Hungary
Phone: +36 96 66 1383
Fax: +36 96 66 1135

ASIA PACIFIC

Australia

Apex Tool Group
519 Nurigong Street, Albury
NSW 2640
Australia
Phone: +61 2 6058 0300

China

Apex Power Tool Trading
(Shanghai) Co., Ltd.
2nd Floor, Area C
177 Bi Bo Road
Pu Dong New Area, Shanghai
China 201203 P.R.C.
Phone: +86 21 60880320
Fax: +86 21 60880298

India

Apex Power Tool India
Private Limited
Gala No. 1, Plot No. 5
S. No. 234, 235 & 245
Indialand Global
Industrial Park
Taluka-Mulsi, Phase I
Hinjawadi, Pune 411057
Maharashtra, India
Phone: +91 020 66761111

Japan

Apex Tool Group Japan
Korin-Kaikan 5F,
3-6-23 Shibakoen, Minato-Ku,
Tokyo 105-0011, JAPAN
Phone: +81-3-6450-1840
Fax: +81-3-6450-1841

Korea

Apex Tool Group Korea
#1503, Hibrand Living Bldg.,
215 Yangjae-dong,
Seocho-gu, Seoul 137-924,
Korea
Phone: +82-2-2155-0250
Fax: +82-2-2155-0252

Cleco[®]
Production Tools

Apex Tool Group, LLC

Phone: +1 (800) 845-5629
Phone: +1 (919) 387-0099
Fax: +1 (803) 358-7681
www.ClecoTools.com
www.ClecoTools.de