

Cleco[®]
Production Tools

Parts Manual

SP12-1117

2020-04

NeoTek[™]

70ESN Series

Corded Electric Assembly Tool



For additional product information visit our website at <http://www.ClecoTools.com>

Copyright © Apex Tool Group, 2020

No part of this document may be reproduced in any way or in any form, in whole or in part, or in a natural or machine-readable language, or transmitted on electronic, mechanical, optical, or other media, without the express permission of the Apex Tool Group.

Disclaimer

The Apex Tool Group reserves the right to modify, supplement, or improve this document or the product without prior notice.

Trademark

Cleco is a registered trademark of Apex Brands, Inc.

Apex Tool Group

670 Industrial Drive
Lexington, SC 29072

Manufacturer:

Apex Tool Group, LLC
670 Industrial Drive
Lexington, South Carolina 29072, USA

Importers:

Apex Tool Group GmbH
Industriestraße 1
73463 Westhausen, Germany

Apex Tool Group SAS
25 Avenue Maurice Chevalier - ZI
77330 Ozoir-La-Ferrière
France

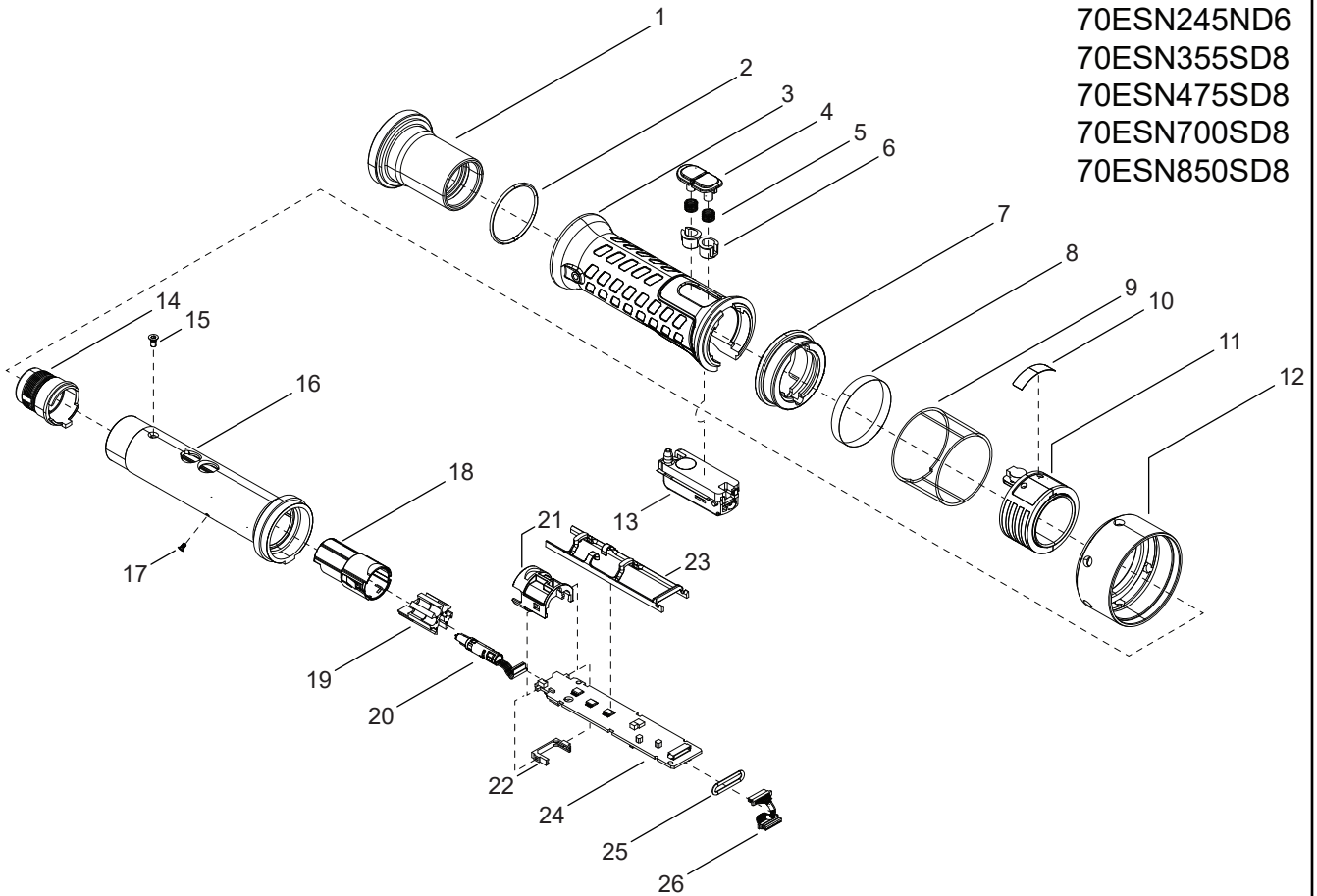
Further Document for Safety Instructions





No.	Document type
TM12-1109	Instruction Manual 30 & 50 & 70 Series NeoTek

01

MODELS

- 70ESN95ND6
- 70ESN130ND6
- 70ESN185ND6
- 70ESN245ND6
- 70ESN355SD8
- 70ESN475SD8
- 70ESN700SD8
- 70ESN850SD8



-  # 1 44 Nm
-  # 12 90 Nm
-  # 13 0.42 Nm
-  # 17 0.9 Nm

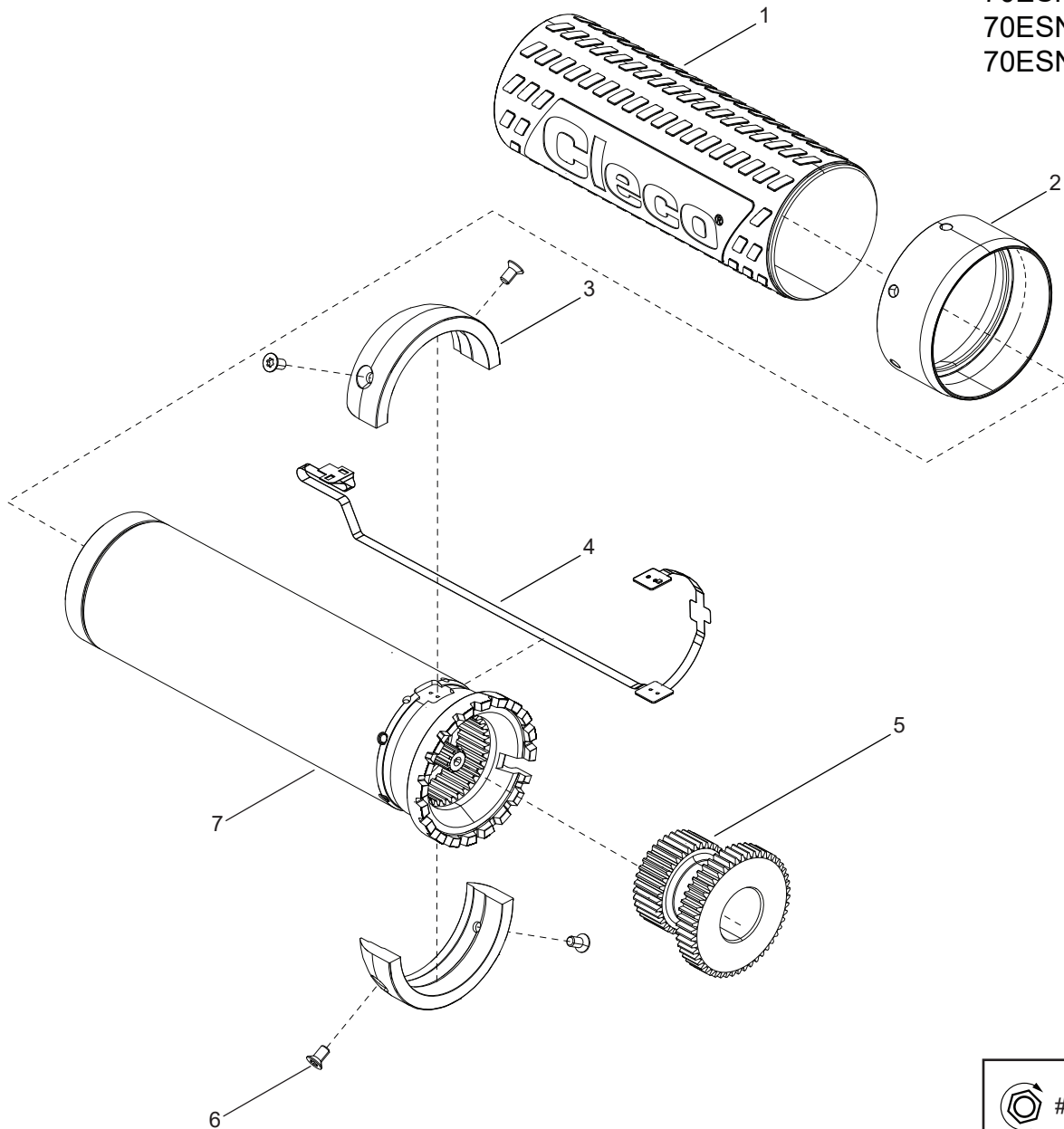
REF	NUMBER	#	EN
			DESCRIPTION
1	208746PT	1	Handle Nut
2	22598	1	O Ring
3	208532PT	1	Handle Grip
4	302085PT	2	Button
5	208002PT	2	Spring
6	207963PT	2	Button Guide
7	207964PT	1	Label Ring
8	207951PT	1	Label
9	207925PT	1	Protective Ring
10	207967PT	1	Label
11	207905PT	1	Light Ring Assembly
12	T50-1000151	1	Handle Nut
13	207949PT	1	Screw
14	302086PT	1	Start Switch Assembly
15	961559PT	1	Housing Connector
16	207921PT	1	Screw
17	207903PT	1	Inner Handle
18	961558PT	1	Connector Body
19	961692PT	1	Contact Carrier
20	961557PT	1	TIM Cable
21	961564PT	1	Circuit Board Holder
22	961575PT	1	Rubber Grommet
23	T50-1000391	1	Wire Guide
24	961668PT	1	TIM Board
25	60371	1	O Ring
26	961594PT	1	Encoder Cable
27	T50-1000152	1	Handle Adapter

= Quantity

02

MODELS

70ESN95ND6
 70ESN130ND6
 70ESN185ND6
 70ESN245ND6
 70ESN355SD8
 70ESN475SD8
 70ESN700SD8
 70ESN850SD8


 # 2 130 Nm

 # 6 1.4 Nm

REF	NUMBER	#	EN
			DESCRIPTION
1	T50-1000376	1	Motor Cover
2	T50-1000154	1	Motor Nut
3	T50-1000153	2	Accessory Cover
4	961702PT	1	Flex Cable
5	See Table 1	1	Transducer
6	T50-1000305	4	Screw
7	961640PT	1	Motor Assembly

= Quantity

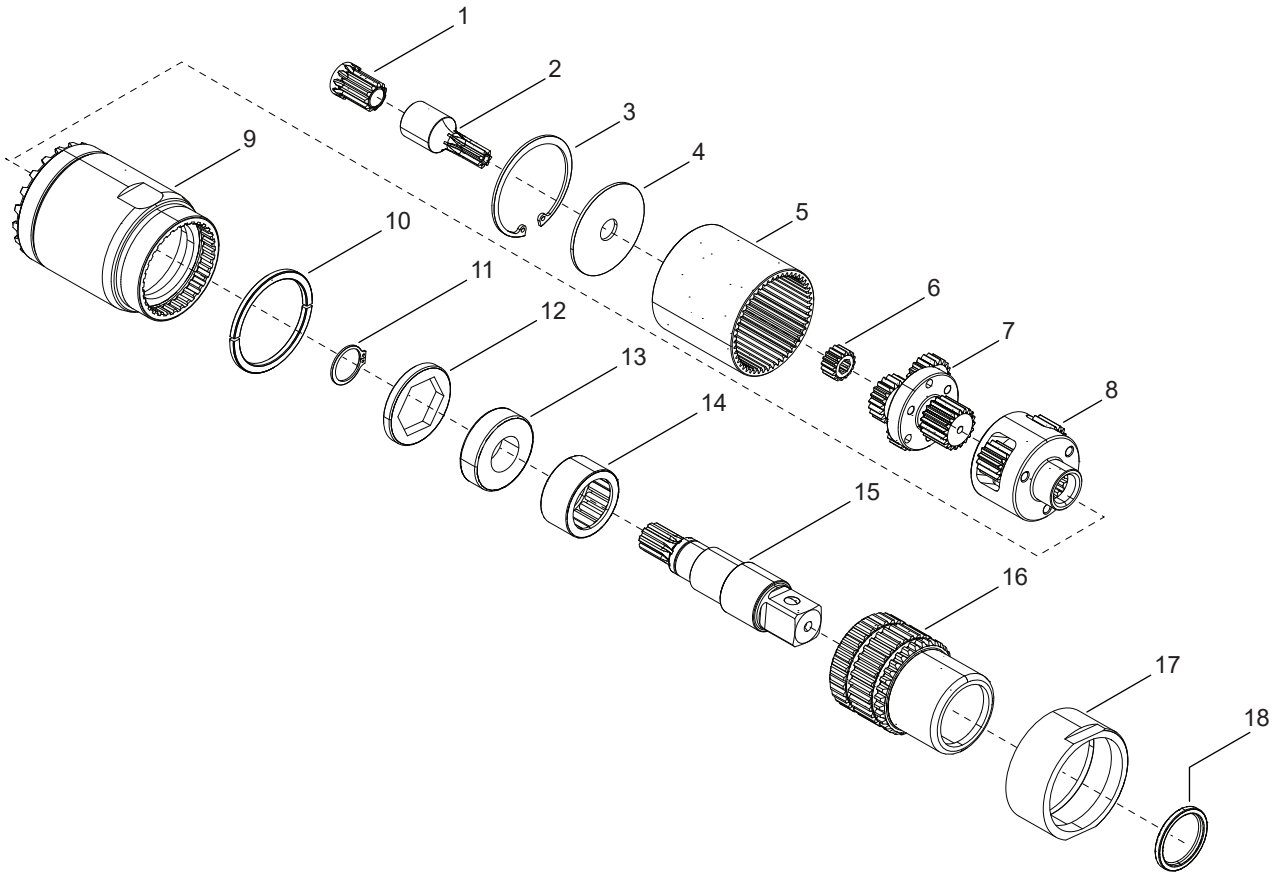
TABLE 1						
REF	DESCRIPTION	#	70ESN95ND6	70ESN130ND6	70ESN185ND6	70ESN245ND6
5	Transducer	1	961796PT-096	961795PT-128	961795PT-184	961795PT-245

TABLE 1 - CONTINUED						
REF	DESCRIPTION	#	70ESN355SD8	70ESN475SD8	70ESN700SD8	70ESN850SD8
5	Transducer	1	961796PT-096	961795PT-128	961795PT-184	961795PT-245

= Quantity

03

MODELS
70ESN95ND6
70ESN130ND6
70ESN185ND6
70ESN245ND6



 # 16 90 Nm

REF	NUMBER	#	EN
			DESCRIPTION
1	T50-3000142	1	Pinion
2	T50-1000113	1	Pinion Extension
3	622065	1	Ring
4	T50-1000123	1	Washer
5	T50-1000112	1	Ring Gear
6	See Table 2	1	Slip On Gear
7	See Table 2	1	Planetary Gear Assembly
8	See Table 2	1	Planetary Gear Assembly
9	T50-1000156	1	Gear Case
10	869879	1	Ring Clamp
11	882970	1	Ring
12	869877	1	Bearing Retainer
13	847659	1	Bearing
14	869880	1	Bearing
15	T50-3000135	1	Output
16	T50-1000157	1	Output Housing
17	869878	1	Nut Clamp
18	93130082	1	Seal

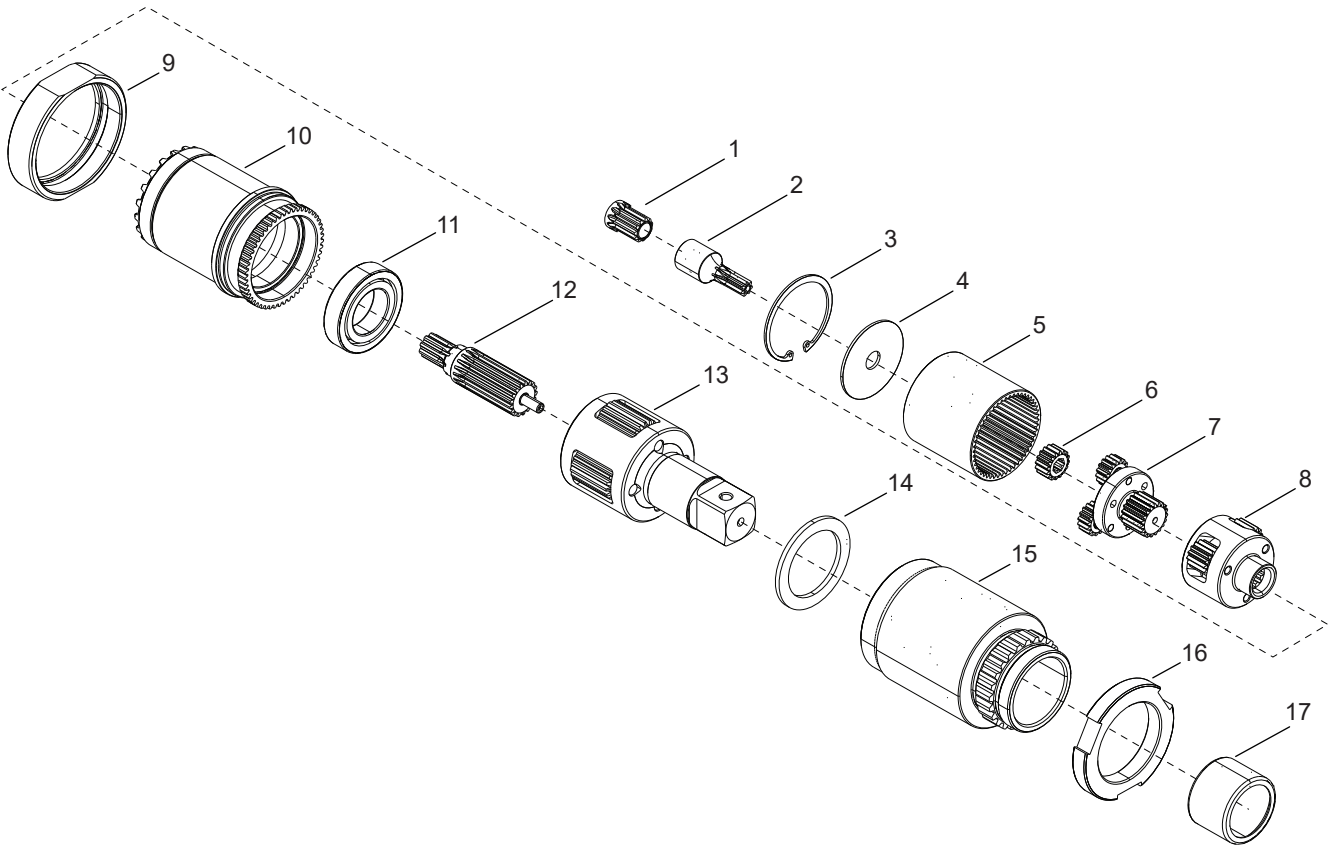
= Quantity



TABLE 2						
REF	DESCRIPTION	#	70ESN95ND6	70ESN130ND6	70ESN185ND6	70ESN245ND6
6	Slip On Gear	1	T50-1000115	T50-1000115	N/A	N/A
7	Planetary Gear Assembly	1	T50-3000624	T50-3000626	T50-3000629	T50-3000656
8	Planetary Gear Assembly	1	T50-3000630	T50-3000628	T50-3000630	T50-3000628

= Quantity

04

MODELS
70ESN355SD8
70ESN475SD8
70ESN700SD8
70ESN850SD8



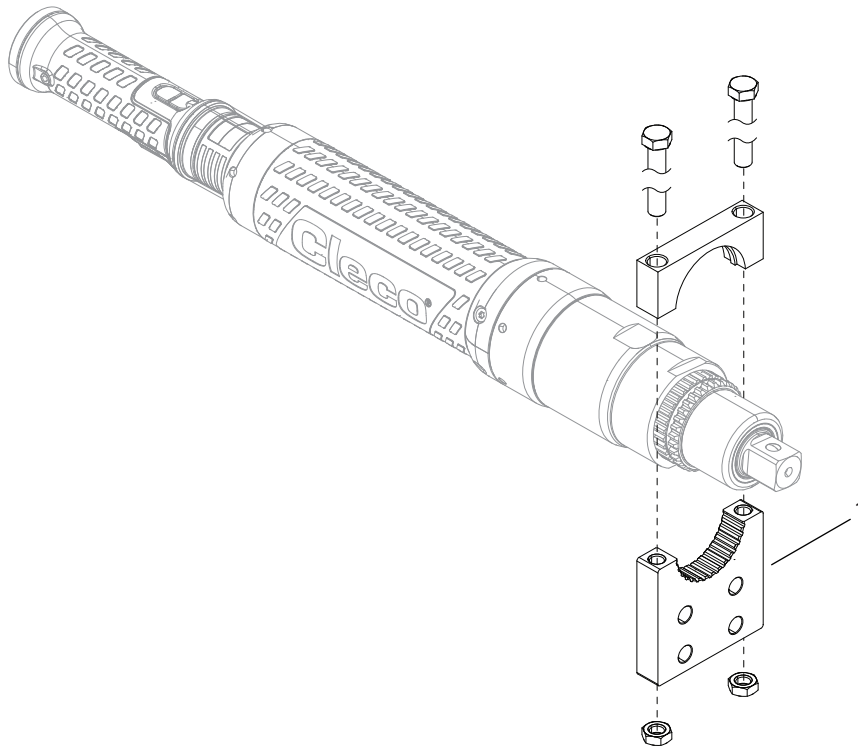
	# 9 150 Nm
	# 16 Hand Tight

REF	NUMBER	#	EN
			DESCRIPTION
1	T50-3000142	1	Pinion
2	T50-1000113	1	Pinion Extension
3	622065	1	Ring
4	T50-1000123	1	Washer
5	T50-1000112	1	Retaining Ring
6	See Table 2	1	Slip On Gear
7	See Table 2	1	Planetary Gear Assembly
8	See Table 2	1	Planetary Gear Assembly
9	T50-1000166	1	Gear Case Nut
10	T50-1000160	1	Gear Case
11	92100165	1	Bearing
12	T50-1000159	1	Drive Shaft
13	See Table 2	1	Planetary Gear Assembly
14	46609119	1	Washer
15	46606116	1	Gear Housing
16	46038134	1	Torque Bar Nut
17	92190034	1	Bearing

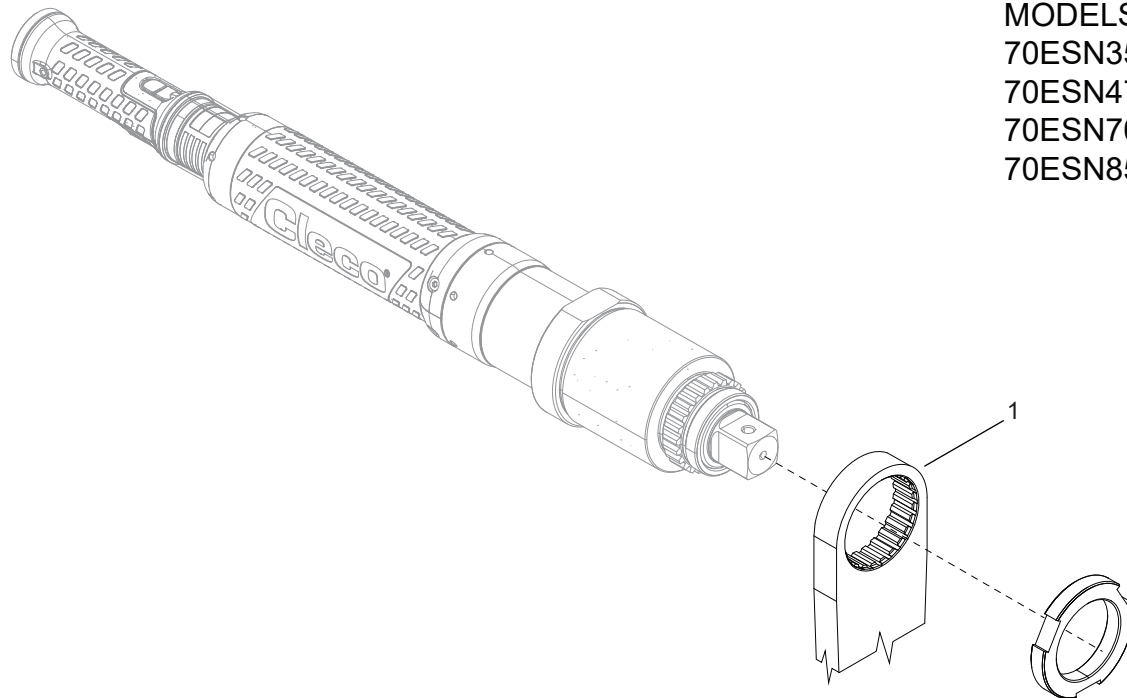
= Quantity

TABLE 2						
REF	DESCRIPTION	#	70ESN355SD8	70ESN475SD8	70ESN700SD8	70ESN850SD8
6	Slip On Gear	1	T50-1000115	T50-1000115	NA	NA
7	Planetary Gear Assembly	1	T50-3000624	T50-3000626	T50-3000629	T50-3000656
8	Planetary Gear Assembly	1	T50-3000630	T50-3000628	T50-3000630	T50-3000628
13	Planetary Gear Assembly	1	T50-3000657	T50-3000657	T50-3000657	T50-3000657

= Quantity

05

MODELS
70ESN95ND6
70ESN130ND6
70ESN185ND6
70ESN245ND6

06

MODELS
70ESN355SD8
70ESN475SD8
70ESN700SD8
70ESN850SD8

FIGURE 5						
REF	NUMBER	#	70ESN95ND6	70ESN130ND6	70ESN185ND6	70ESN245ND6
1	Reaction Bar Bracket	1	201034	201034	201034	201034

= Quantity

FIGURE 6						
REF	NUMBER	#	70ESN355SD8	70ESN475SD8	70ESN700SD8	70ESN850SD8
1	Reaction Bar	1	46036202	46036202	46036202	46036202

= Quantity

POWER TOOLS SALES & SERVICE CENTERS

Please note that all locations may not service all products.

Contact the nearest Cleco® Sales & Service Center for the appropriate facility to handle your service requirements.

 Sales Center

 Service Center

NORTH AMERICA | SOUTH AMERICA

Detroit, Michigan

Apex Tool Group
2630 Superior Court
Auburn Hills, MI 48236
Phone: +1 (248) 393-5644
Fax: +1 (248) 391-6295

Lexington, South Carolina

Apex Tool Group
670 Industrial Drive
Lexington, SC 29072
Phone: +1 (800) 845-5629
Phone: +1 (919) 387-0099
Fax: +1 (803) 358-7681

Mexico

Apex Tool Group
Vialidad El Pueblito #103
Parque Industrial Querétaro
Querétaro, QRO 76220
Mexico
Phone: +52 (442) 211 3800
Fax: +52 (800) 685 5560

Brazil

Apex Tool Group
Av. Liberdade, 4055
Zona Industrial Iporanga
Sorocaba, São Paulo
CEP# 18087-170
Brazil
Phone: +55 15 3238 3870
Fax: +55 15 3238 3938

EUROPE | MIDDLE EAST | AFRICA

England

Apex Tool Group GmbH
C/O Spline Gauges
Piccadilly, Tamworth
Staffordshire B78 2ER
United Kingdom
Phone: +44 1827 8727 71
Fax: +44 1827 8741 28

France

Apex Tool Group SAS
25 Avenue Maurice Chevalier - ZI
77330 Ozoir-la-Ferrière
France
Phone: +33 1 64 43 22 00
Fax: +33 1 64 43 17 17

Germany

Apex Tool Group GmbH
Industriestraße 1
73463 Westhausen
Germany
Phone: +49 (0) 73 63 81 0
Fax: +49 (0) 73 63 81 222

Hungary

Apex Tool Group
Hungária Kft.
Platánfa u. 2
9027 Győr
Hungary
Phone: +36 96 66 1383
Fax: +36 96 66 1135

ASIA PACIFIC

Australia

Apex Tool Group
519 Nurigong Street, Albury
NSW 2640
Australia
Phone: +61 2 6058 0300

China

Apex Power Tool Trading
(Shanghai) Co., Ltd.
2nd Floor, Area C
177 Bi Bo Road
Pu Dong New Area, Shanghai
China 201203 P.R.C.
Phone: +86 21 60880320
Fax: +86 21 60880298

India

Apex Power Tool India
Private Limited
Gala No. 1, Plot No. 5
S. No. 234, 235 & 245
Indialand Global
Industrial Park
Taluka-Mulsi, Phase I
Hinjawadi, Pune 411057
Maharashtra, India
Phone: +91 020 66761111

Japan

Apex Tool Group Japan
Korin-Kaikan 5F,
3-6-23 Shibakoen, Minato-Ku,
Tokyo 105-0011, JAPAN
Phone: +81-3-6450-1840
Fax: +81-3-6450-1841

Korea

Apex Tool Group Korea
#1503, Hibrand Living Bldg.,
215 Yangjae-dong,
Seocho-gu, Seoul 137-924,
Korea
Phone: +82-2-2155-0250
Fax: +82-2-2155-0252

Cleco[®]
Production Tools

Apex Tool Group, LLC

Phone: +1 (800) 845-5629
Phone: +1 (919) 387-0099
Fax: +1 (803) 358-7681
www.ClecoTools.com
www.ClecoTools.de