

Cleco[®]
Production Tools

Parts Manual

SP12-1118

2023-02

CellTek[™]

CTBAW

Cordless EC Tool



For additional product information visit our website at <http://www.ClecoTools.com>

Copyright © Apex Tool Group, 2020

No part of this document may be reproduced in any way or in any form, in whole or in part, or in a natural or machine-readable language, or transmitted on electronic, mechanical, optical, or other media, without the express permission of the Apex Tool Group.

Disclaimer

The Apex Tool Group reserves the right to modify, supplement, or improve this document or the product without prior notice.

Trademark

Cleco is a registered trademark of Apex Brands, Inc.

Apex Tool Group

670 Industrial Drive
 Lexington, SC 29072

Manufacturer:

Apex Tool Group, LLC
 670 Industrial Drive
 Lexington, South Carolina 29072, USA

Importers:

Apex Tool Group GmbH
 Industriestraße 1
 73463 Westhausen, Germany

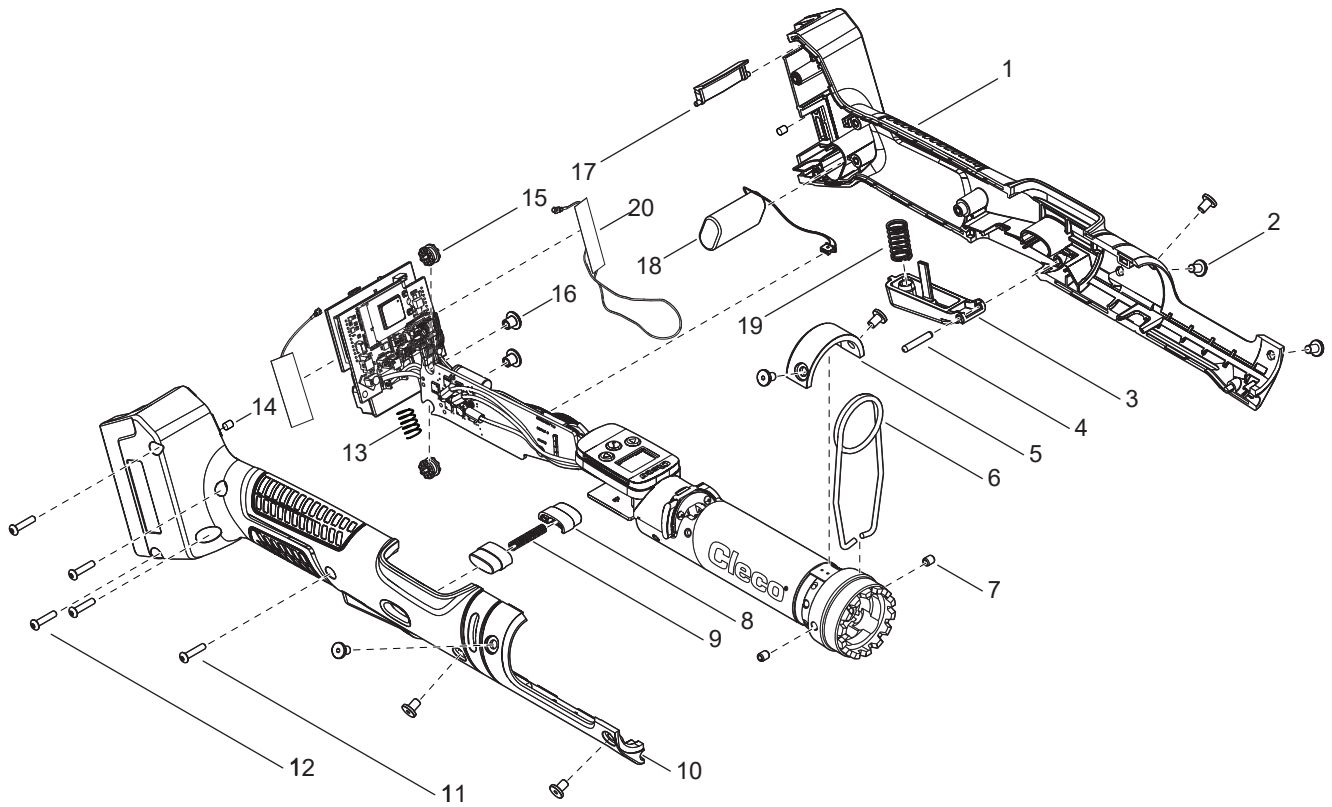
Apex Tool Group SAS
 25 Avenue Maurice Chevalier - ZI
 77330 Ozoir-La-Ferrière
 France

Further Document for Safety Instructions

| No. | Document type |
|---------|-------------------------------------|
| P2543BA | Instruction Manual CTBAW & CTBPW |

01

MODELS
CTBAW153
CTBAW213
CTBAW273
CTBAW383
CTBAW503
CTBAW653



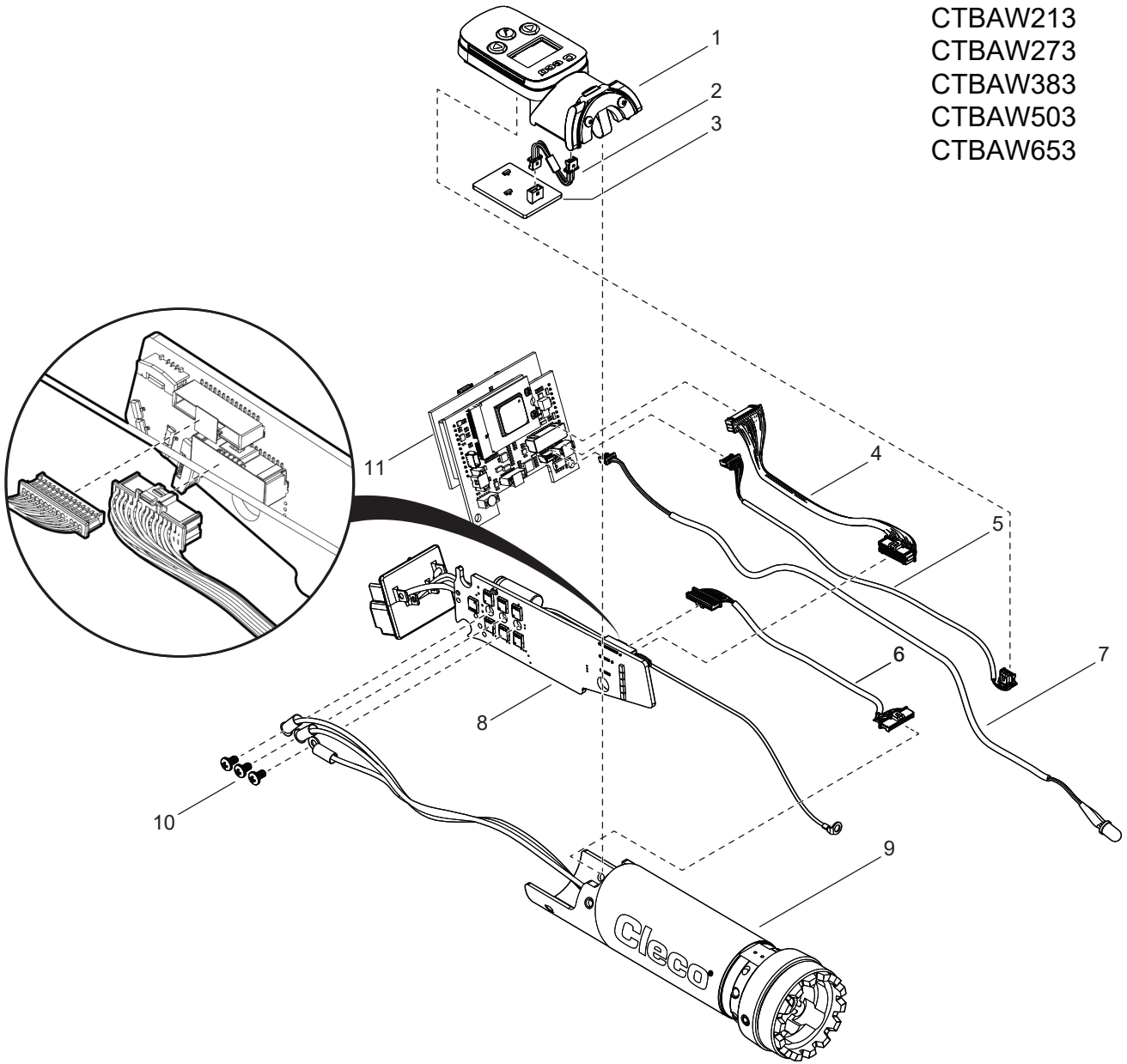
-  # 2 0.85Nm
-  # 11,12 1.2Nm

| REF | NUMBER | # | EN |
|-----|---------------|---|---------------------------|
| | | | DESCRIPTION |
| 1 | T50-1000746 | 1 | Left Hand Handle Housing |
| 2 | T50-1001028 | 8 | Screw |
| 3 | T50-3000341 | 1 | Trigger |
| 4 | 843280 | 1 | Pin |
| 5 | T50-1000642 | 1 | Accessory Cover |
| 6 | 936357 | 1 | Bail |
| 7 | 931791 | 2 | Spring Pin |
| 8 | T50-3000139 | 2 | Button |
| 9 | T50-1000048-3 | 1 | Spring |
| 10 | T50-3000745 | 1 | Right Hand Handle Housing |
| 11 | T50-1000933 | 1 | Screw |
| 12 | T50-1000744 | 4 | Screw |
| 13 | 208809PT | 1 | Spring |
| 14 | T50-1000721 | 2 | Rubber Dowel |
| 15 | T50-1000511 | 2 | Vibration Damper |
| 16 | T50-1000950 | 2 | Shoulder Spacer |
| 17 | T50-1000604 | 1 | Access Door |
| 18 | T50-1001087 | 1 | Capacitor |
| 19 | T50-1000348 | 1 | Spring |
| 20 | T50-3102084 | 2 | Antenna |

= Quantity

02

MODELS
 CTBAW153
 CTBAW213
 CTBAW273
 CTBAW383
 CTBAW503
 CTBAW653



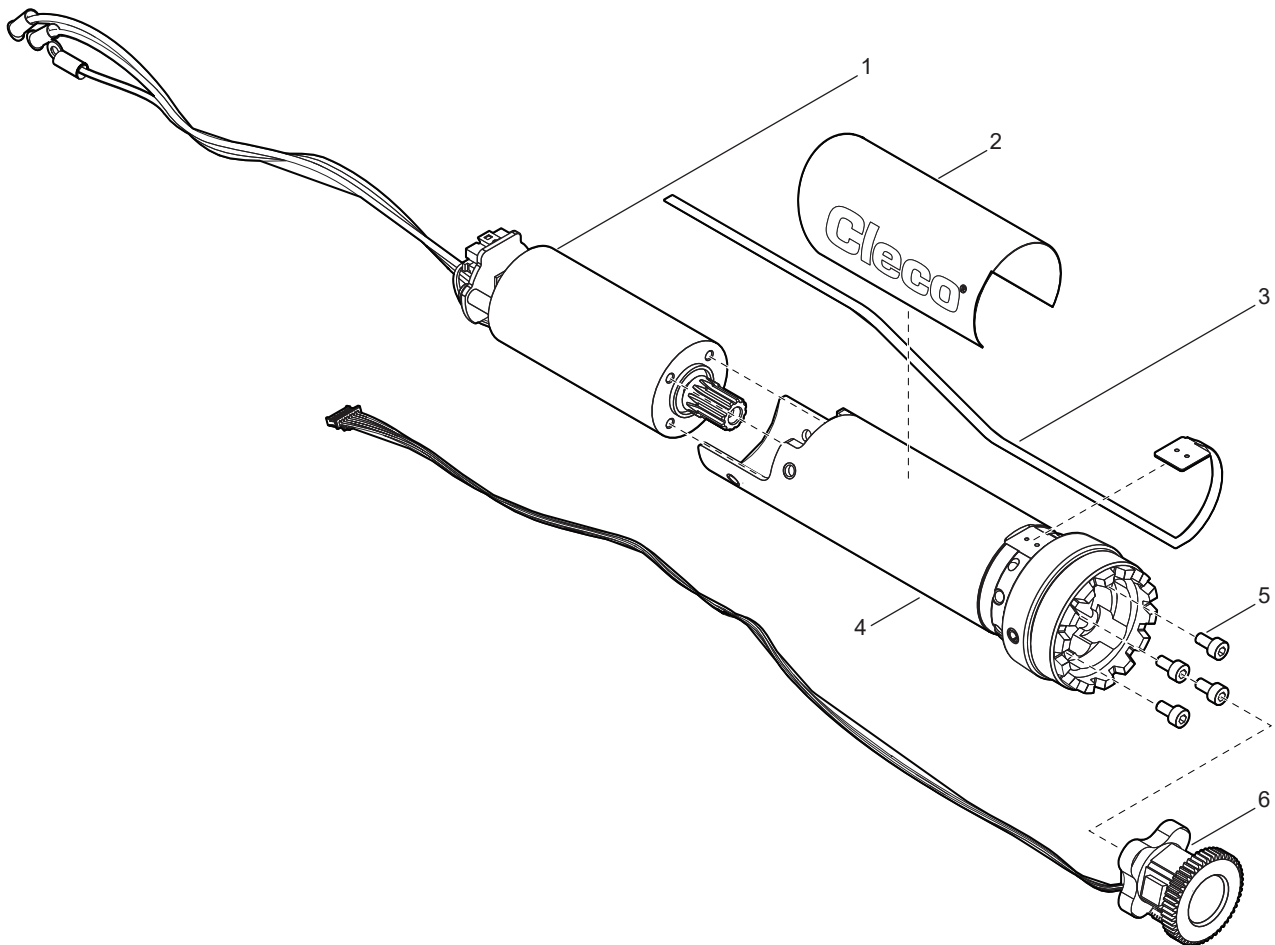
 # 10 1.4 Nm

| REF | NUMBER | # | EN |
|-----|-------------|---|-----------------------|
| | | | DESCRIPTION |
| 1 | T50-3000280 | 1 | Display |
| 2 | T55-1000076 | 1 | Toggle Cable |
| 3 | T50-3000618 | 1 | Toggle Board |
| 4 | T55-1000061 | 1 | Servo MC Cable |
| 5 | T55-1000078 | 1 | Display Cable |
| 6 | T50-1000833 | 1 | Encoder Cable |
| 7 | T55-1000072 | 1 | Work Light |
| 8 | T50-3000616 | 1 | Servo PCBA |
| 9 | T50-3000229 | 1 | Right Angle Motor |
| 10 | T50-1102175 | 3 | Screw |
| 11 | T50-3102042 | 1 | Measurement Card PCBA |

= Quantity

03

MODELS
CTBAW153
CTBAW213
CTBAW273
CTBAW383
CTBAW503
CTBAW653

 # 5 1.4 Nm

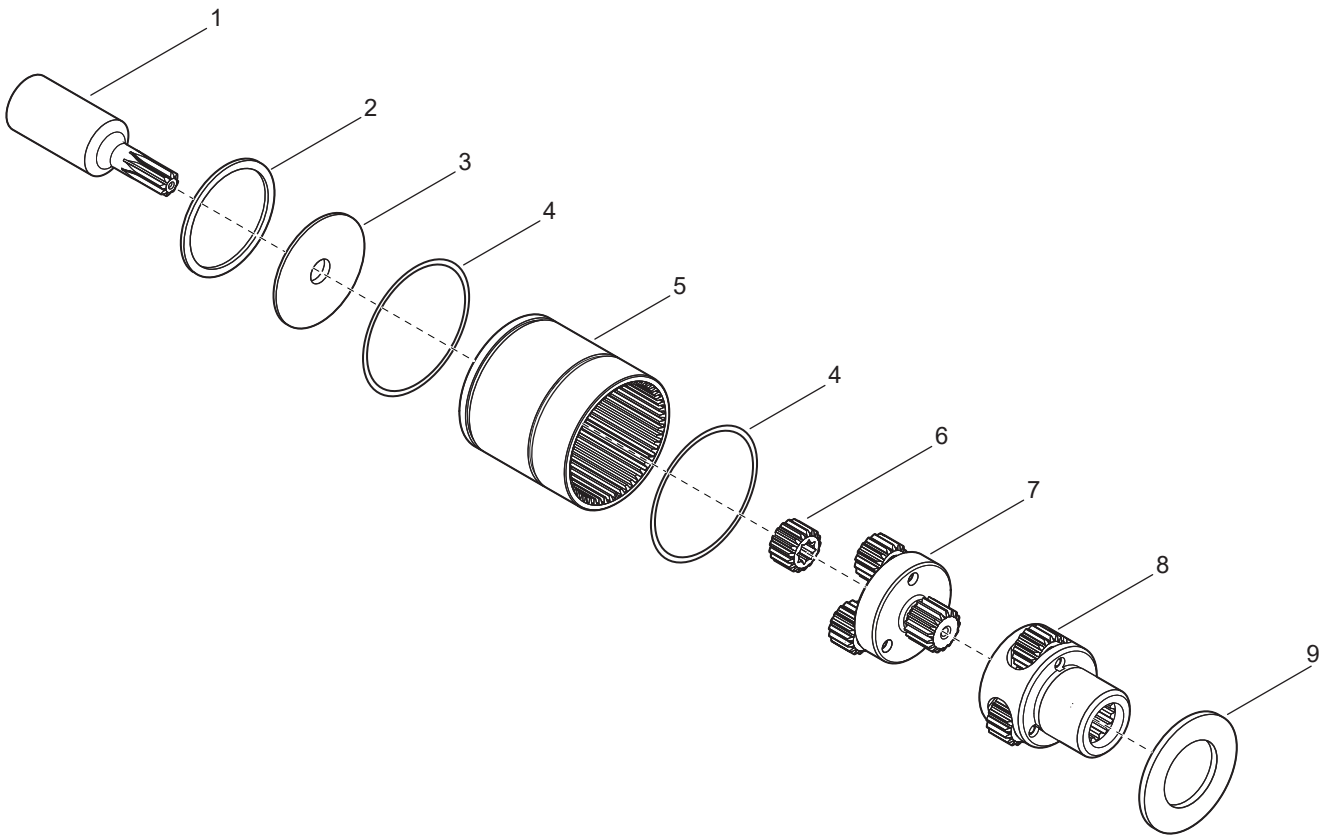
| REF | NUMBER | # | EN |
|-----|---------------|---|---------------------|
| | | | DESCRIPTION |
| 1 | T50-3000371-2 | 1 | Motor |
| 2 | T50-1000623 | 1 | Decal Logo |
| 3 | T50-1001036 | 1 | Flex Cable |
| 4 | T50-1000607 | 1 | Motor Housing |
| 5 | 542940-28 | 4 | Screw |
| 6 | See Table 1 | 1 | Transducer Assembly |

= Quantity

TABLE 1

| REF | NUMBER | # | CTBAW153 | CTBAW213 | CTBAW273 | CTBAW383 | CTBAW503 | CTBAW653 |
|---------------------|---------------------|---|----------------|----------------|----------------|----------------|----------------|----------------|
| 6 | Transducer Assembly | 1 | T55-3000032-10 | T55-3000032-15 | T55-3000032-20 | T55-3000032-25 | T55-3000032-35 | T55-3000032-45 |
| Transducer Capacity | | | 10 Nm | 15 Nm | 20 Nm | 25 Nm | 35 Nm | 45 Nm |

= Quantity

04MODELS
CTBAW153
CTBAW213
CTBAW273

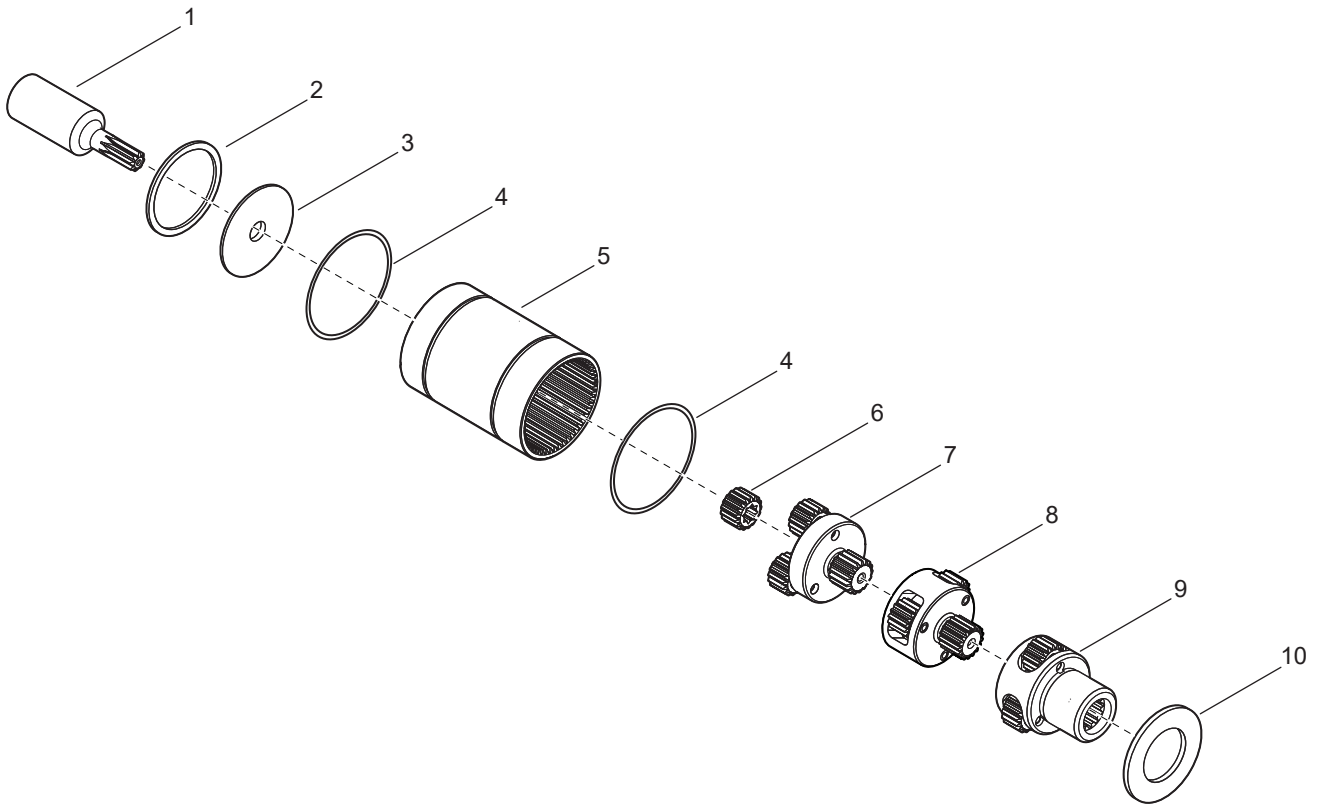
| REF | NUMBER | # | EN |
|-----|-------------|---|-------------------------|
| | | | DESCRIPTION |
| 1 | T50-1000611 | 1 | Pinion Adapter |
| 2 | 800116 | 1 | Ring |
| 3 | 541887 | 1 | Washer |
| 4 | 542724 | 2 | O-Ring |
| 5 | 542722 | 1 | Ring Gear |
| 6 | See Table 2 | 1 | Slip on Gear |
| 7 | See Table 2 | 1 | Planetary Gear Assembly |
| 8 | See Table 2 | 1 | Planetary Gear Assembly |
| 9 | 502983 | 1 | Washer |

= Quantity

TABLE 2

| REF | NUMBER | # | CTBAW153 | CTBAW213 | CTBAW273 | CTBAW383 |
|-----|-------------------------|---|-------------|-------------|-------------|-------------|
| 6 | Slip on Gear | 1 | 541899 | 541899 | – | – |
| 7 | Planetary Gear Assembly | 1 | T50-3000640 | T50-3000672 | T50-3000695 | T50-3000644 |
| 8 | Planetary Gear Assembly | 1 | T50-3000692 | T50-3000694 | T50-3000696 | T50-3000697 |

= Quantity

05MODELS
CTBAW383
CTBAW503
CTBAW653

| Ref | Number | # | EN |
|-----|-------------|---|-------------------------|
| | | | Description |
| 1 | T50-1000611 | 1 | Pinion Extension |
| 2 | 800116 | 1 | Ring |
| 3 | 541887 | 1 | Washer |
| 4 | 542724 | 2 | O-Ring |
| 5 | T50-1000321 | 1 | Ring Gear |
| 6 | 541899 | 1 | Slip On Gear |
| 7 | See Table 3 | 1 | Planetary Gear Assembly |
| 8 | See Table 3 | 1 | Planetary Gear Assembly |
| 9 | See Table 3 | 1 | Planetary Gear Assembly |
| 10 | 207303 | 1 | Washer |

= Quantity

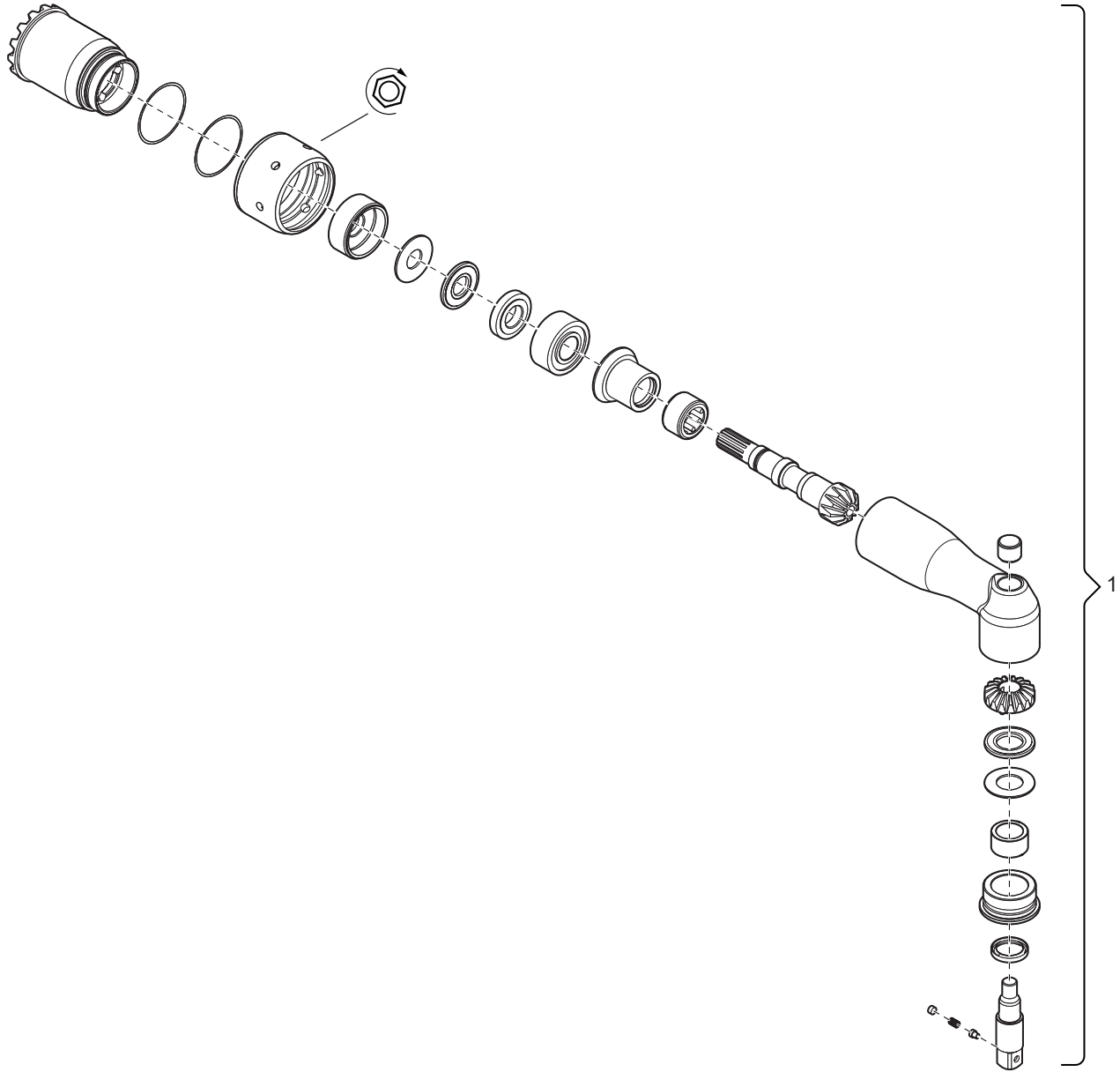
TABLE 3


| REF | NUMBER | # | CTBAW503 | CTBAW653 |
|-----|-------------------------|---|-------------|-------------|
| 7 | Planetary Gear Assembly | 1 | T50-3000698 | T50-3000640 |
| 8 | Planetary Gear Assembly | 1 | T50-3000699 | T50-3000701 |
| 9 | Planetary Gear Assembly | 1 | T50-3000692 | T50-3000692 |

= Quantity

06

MODELS
CTBAW153
CTBAW213
CTBAW273



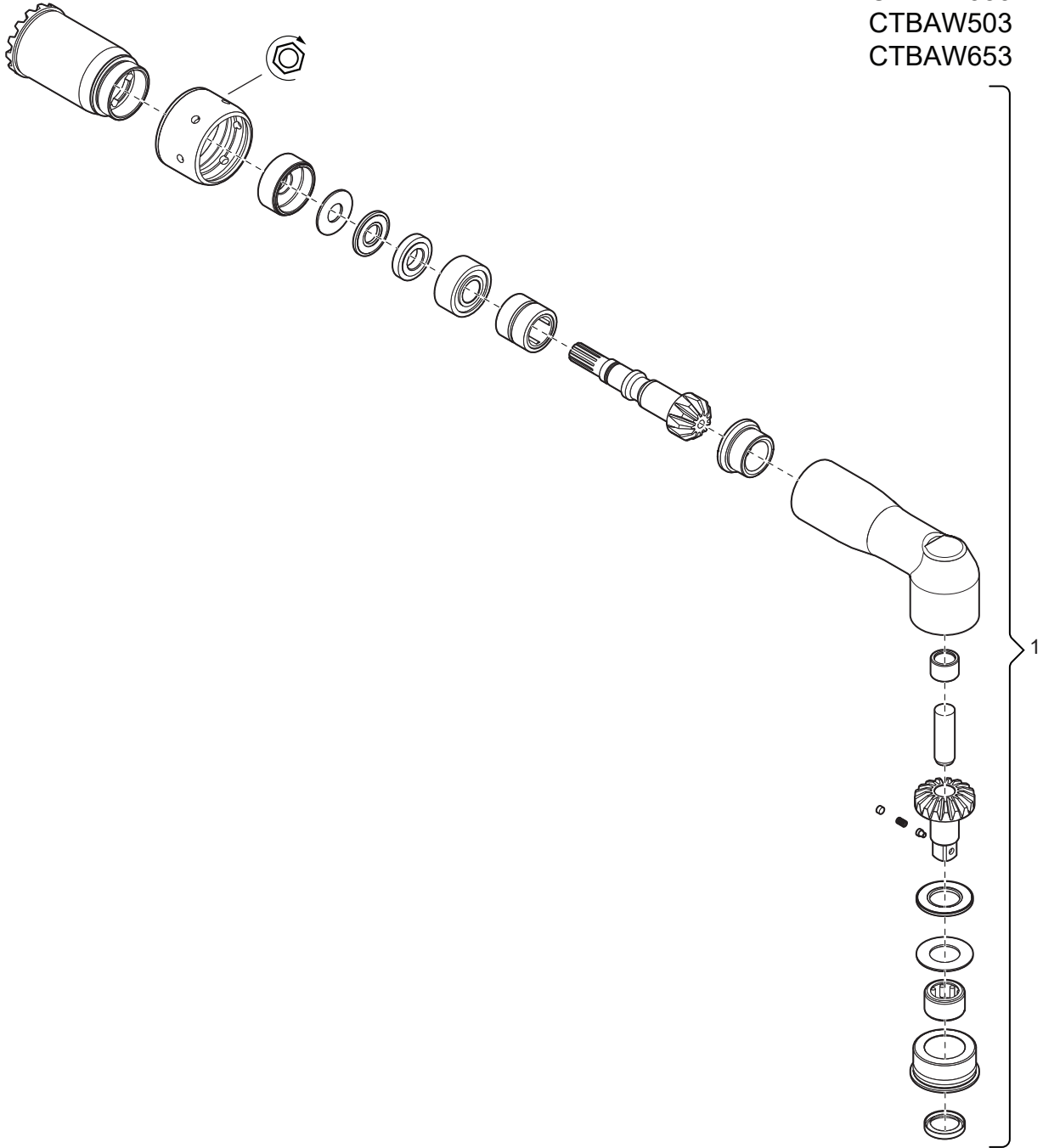
 61 Nm

| REF | NUMBER | # | EN |
|-----|-------------|---|---------------------|
| | | | DESCRIPTION |
| 1 | T50-3000250 | 1 | Angle Head Assembly |

= Quantity

07

MODELS
CTBAW383
CTBAW503
CTBAW653



61 Nm

| REF | NUMBER | # | EN |
|-----|-------------|---|---------------------|
| | | | DESCRIPTION |
| 1 | See Table 4 | 1 | Angle Head Assembly |

= Quantity

TABLE 4

| REF | NUMBER | # | CTBAW383 | CTBAW503 | CTBAW653 |
|-----|---------------------|---|-------------|-------------|-------------|
| 1 | Angle Head Assembly | 1 | T50-3000345 | T50-3000346 | T50-3000347 |

= Quantity

POWER TOOLS SALES & SERVICE CENTERS

Please note that all locations may not service all products.

Contact the nearest Cleco® Sales & Service Center for the appropriate facility to handle your service requirements.

 Sales Center

 Service Center

NORTH AMERICA | SOUTH AMERICA

Detroit, Michigan

Apex Tool Group
2630 Superior Court
Auburn Hills, MI 48236
Phone: +1 (248) 393-5644
Fax: +1 (248) 391-6295

Lexington, South Carolina

Apex Tool Group
670 Industrial Drive
Lexington, SC 29072
Phone: +1 (800) 845-5629
Phone: +1 (919) 387-0099
Fax: +1 (803) 358-7681

Mexico

Apex Tool Group
Vialidad El Pueblito #103
Parque Industrial Querétaro
Querétaro, QRO 76220
Mexico
Phone: +52 (442) 211 3800
Fax: +52 (800) 685 5560

Brazil

Apex Tool Group
Av. Liberdade, 4055
Zona Industrial Iporanga
Sorocaba, São Paulo
CEP# 18087-170
Brazil
Phone: +55 15 3238 3870
Fax: +55 15 3238 3938

EUROPE | MIDDLE EAST | AFRICA

England

Apex Tool Group GmbH
C/O Spline Gauges
Piccadilly, Tamworth
Staffordshire B78 2ER
United Kingdom
Phone: +44 1827 8727 71
Fax: +44 1827 8741 28

France

Apex Tool Group SAS
25 Avenue Maurice Chevalier - ZI
77330 Ozoir-la-Ferrière
France
Phone: +33 1 64 43 22 00
Fax: +33 1 64 43 17 17

Germany

Apex Tool Group GmbH
Industriestraße 1
73463 Westhausen
Germany
Phone: +49 (0) 73 63 81 0
Fax: +49 (0) 73 63 81 222

Hungary

Apex Tool Group
Hungária Kft.
Platánfa u. 2
9027 Győr
Hungary
Phone: +36 96 66 1383
Fax: +36 96 66 1135

ASIA PACIFIC

Australia

Apex Tool Group
519 Nurigong Street, Albury
NSW 2640
Australia
Phone: +61 2 6058 0300

China

Apex Power Tool Trading
(Shanghai) Co., Ltd.
2nd Floor, Area C
177 Bi Bo Road
Pu Dong New Area, Shanghai
China 201203 P.R.C.
Phone: +86 21 60880320
Fax: +86 21 60880298

India

Apex Power Tool India
Private Limited
Gala No. 1, Plot No. 5
S. No. 234, 235 & 245
Indialand Global
Industrial Park
Taluka-Mulsi, Phase I
Hinjawadi, Pune 411057
Maharashtra, India
Phone: +91 020 66761111

Japan

Apex Tool Group Japan
Korin-Kaikan 5F,
3-6-23 Shibakoen, Minato-Ku,
Tokyo 105-0011, JAPAN
Phone: +81-3-6450-1840
Fax: +81-3-6450-1841

Korea

Apex Tool Group Korea
#1503, Hibrand Living Bldg.,
215 Yangjae-dong,
Seocho-gu, Seoul 137-924,
Korea
Phone: +82-2-2155-0250
Fax: +82-2-2155-0252

Cleco[®]
Production Tools

Apex Tool Group, LLC

Phone: +1 (800) 845-5629
Phone: +1 (919) 387-0099
Fax: +1 (803) 358-7681
www.ClecoTools.com
www.ClecoTools.de